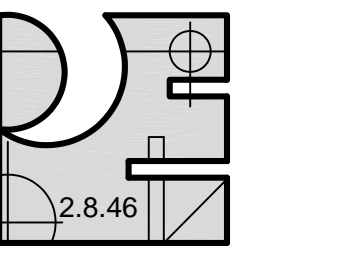
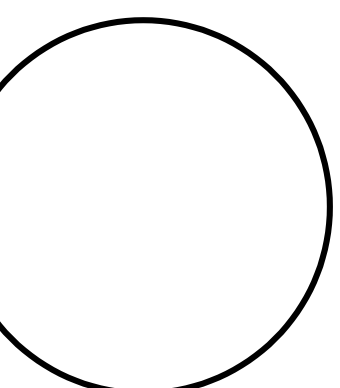


**NORTH SIDE
MECHANICAL PLAN**

Scale: 1/8"=1'-0"

ADD FIRE DAMPER (FD)
FOR OFFICE AREA SEPARATION
HALLWAY NOT RATED FIRE&SMOKE
DAMPER NOT REQUIRED
PER ARCHITECT NO OTHER RATINGS FOR THIS PHASE

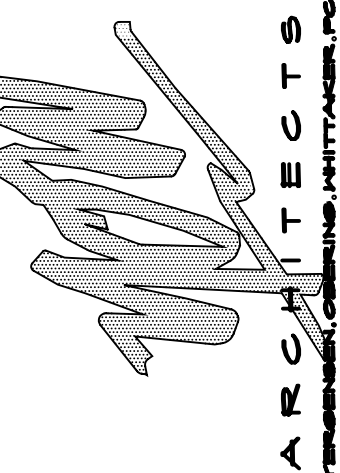


**Pinnow
Engineering**

P.O. BOX 331
CASCADE, CO 80809
PHONE/FAX: 719.684.2209

OWNERSHIP OF DOCUMENT
THE IDEAS AND DESIGNS
INCORPORATED HEREIN, AS
AN INSTRUMENT OF
PROFESSIONAL SERVICES IS
THE PROPERTY OF PINNOW
ENGINEERING, LLC AND IS
NOT TO BE COPIED OR USED,
IN WHOLE OR PART, FOR
ANY OTHER PURPOSES
WITHOUT THE WRITTEN
AUTHORIZATION OF
PINNOW ENGINEERING, LLC.
© 2008

THE SOUTH WEBER, SUITE 400
COLORADO SPRINGS, COLORADO 80904
719-578-4444 FAX: 719-578-4444



BECKETT DEVELOPMENT INVESTMENTS LLP
104 SOUTH CASCADE AVENUE, SUITE 201
COLORADO SPRINGS, COLORADO 80903
PHONE: (719) 328-1501
FAX: (719) 328-1501

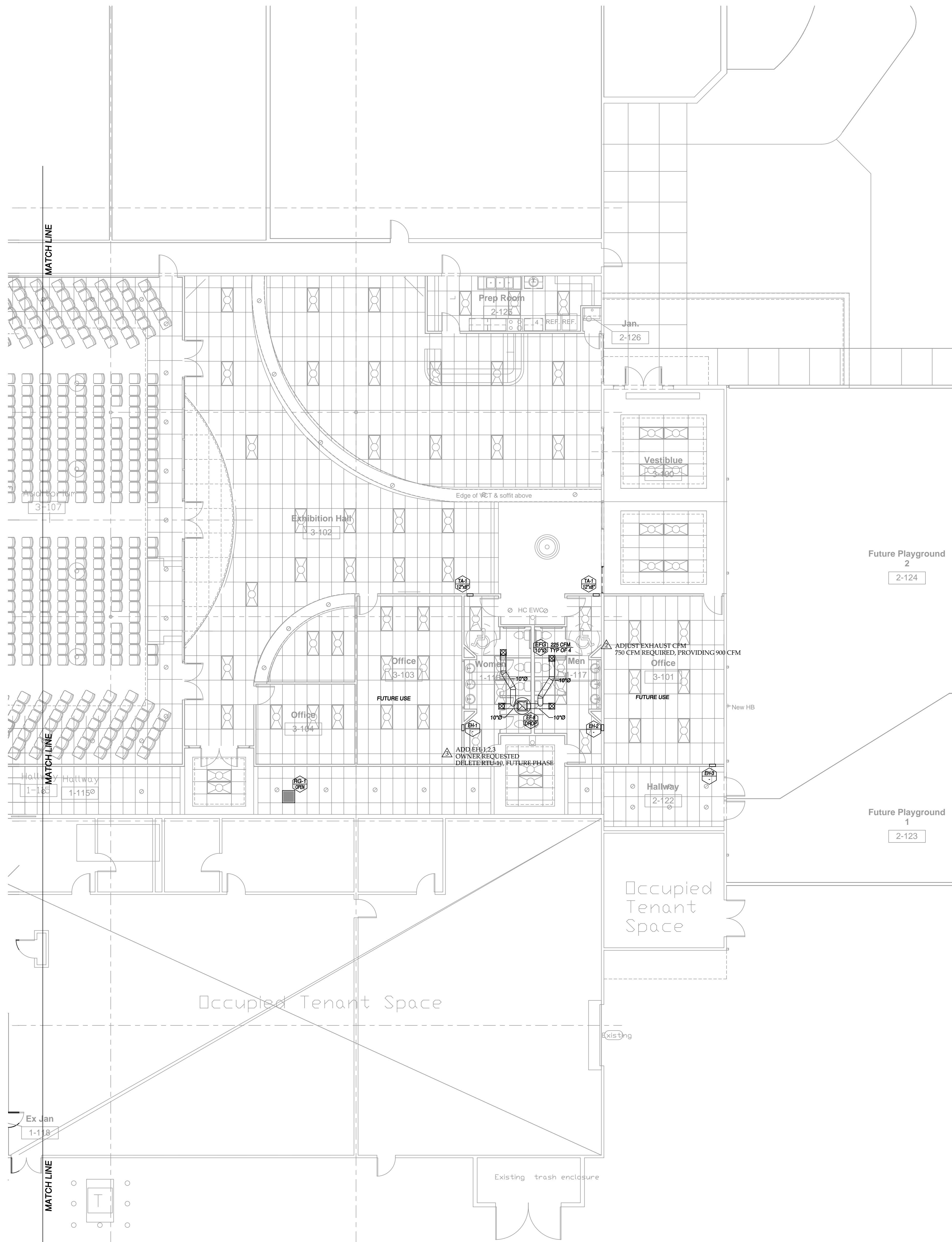
**CALVERY FELLOWSHIP
AT THE MART FOUNTAIN**
6436 SOUTH HIGHWAY 85-87
FOUNTAIN, COLORADO 80817

JOB NUMBER: P8-085
DRAWN BY: BCB
REVIEWED BY: LAP
REVIEW SET: 08/04/08
PERMIT SET: 09/22/08

REVISION:
11/24/08
ADJUST SEWER STUBS
SCHEDULE SET
RED COMMENTS
OWNER & CONST. CHANGE

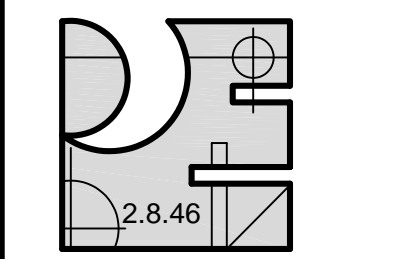
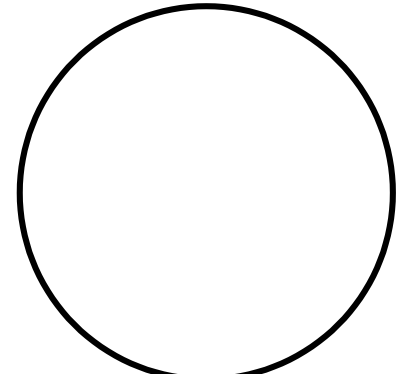
NORTH SIDE
MECHANICAL PLAN

M-1
SCALE: 1/8"=1'-0" OF 4



**SOUTH SIDE
MECHANICAL PLAN**

Scale: 1/8" = 1'-0"

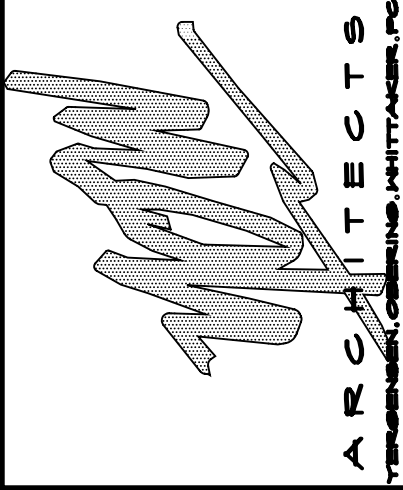


**Pinnow
Engineering**

P.O. BOX 331
CASCADE, CO 80809
PHONE/FAX: 719.684.2209

OWNERSHIP OF DOCUMENT
THE IDEAS AND DESIGNS
INCORPORATED HEREIN, AS
AN INSTRUMENT OF
PROFESSIONAL SERVICES IS
THE PROPERTY OF PINNOW
ENGINEERING, LLC AND IS
NOT TO BE COPIED OR USED,
IN WHOLE OR PART, FOR
ANY OTHER PURPOSES
WITHOUT THE WRITTEN
AUTHORIZATION OF
PINNOW ENGINEERING, LLC.
© 2008

116 SOUTH WEBER, SUITE 400
COLORADO SPRINGS, COLORADO 80904
719-575-4444 FAX: 719-575-4444



ARCHITECTS

**BECKETT DEVELOPMENT LLP
BECKETT FALCON INVESTMENTS LLP**
104 SOUTH CASCADE AVENUE, SUITE 201
COLORADO SPRINGS, COLORADO 80903
PHONE: (719) 328-1600 FAX: (719) 328-1501

**CALVERY FELLOWSHIP
AT THE MART FOUNTAIN**
6436 SOUTH HIGHWAY 85-87
FOUNTAIN, COLORADO 80817

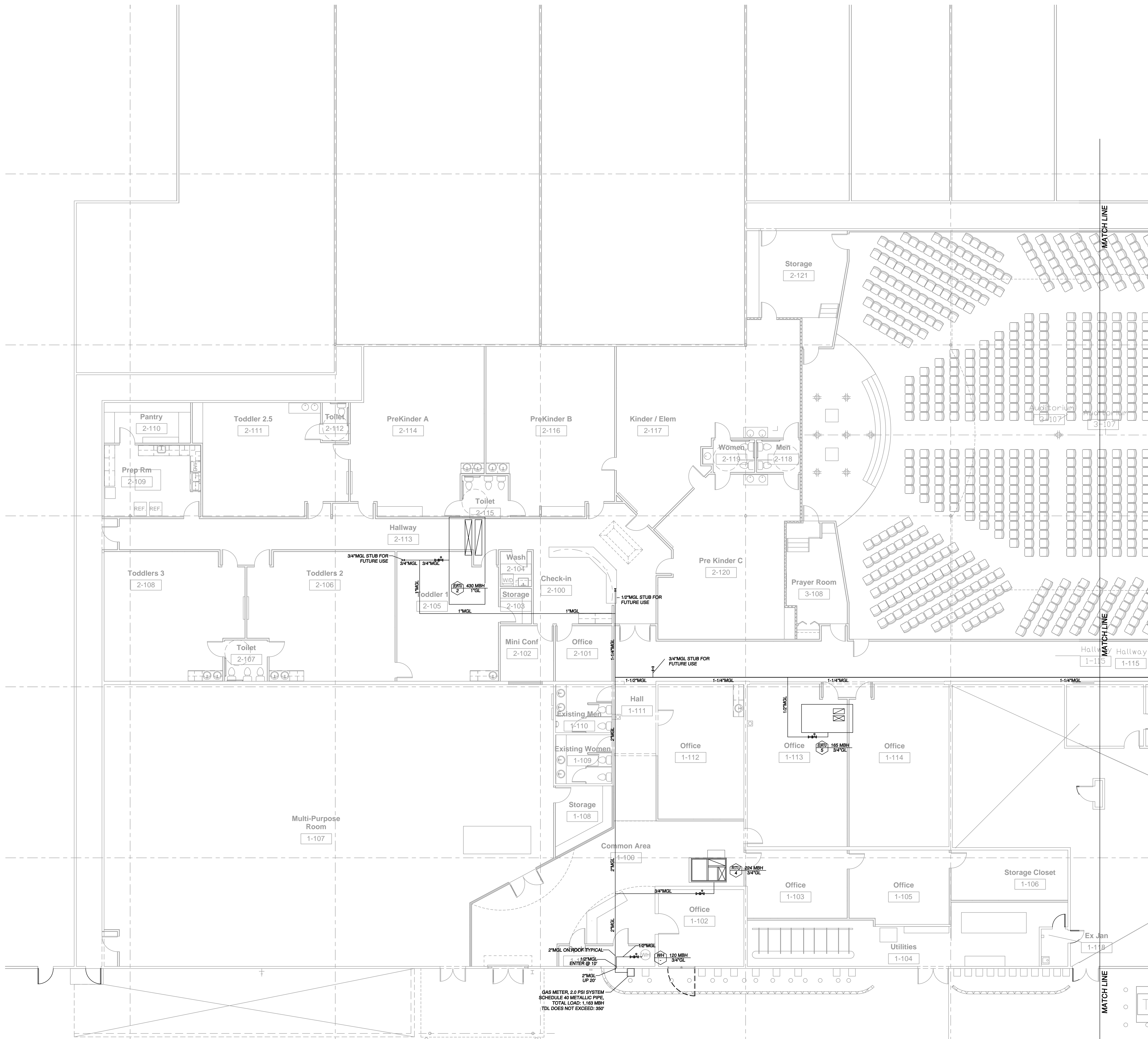
JOB NUMBER:	P8-085
DRAWN BY:	BCB
REVIEWED BY:	LAP
REVIEW SET:	08/04/08
PERMIT SET:	09/22/08

REVISION:	11/24/08
ADJUST SEWER STUBS	
SCHEDULE SET	
RED COMMENTS	
OWNER & CONST. CHANGE	

SOUTH SIDE
MECHANICAL PLAN

M-2

SCALE: 1/8" = 1'-0" OF 4



**NORTH SIDE
MECHANICAL PLAN**

Scale: 1/8"=1'-0"

LEGEND & NOTES

- MEDIUM PRESSURE GAS LINE (MGL)
- REGULAR PRESSURE GAS LINE (GL)
- ⊕ GAS COCK
- ⊕ MEDIUM PRESSURE GAS REGULATOR

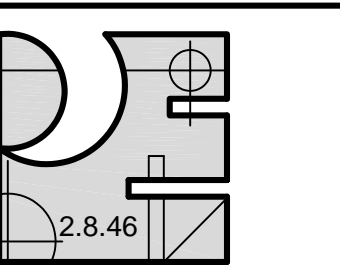
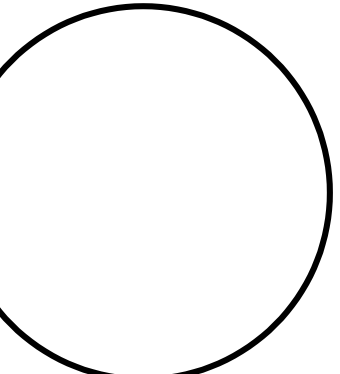
GAS PIPING SHALL BE SCHEDULE 40 METALLIC

FIELD VERIFY ALL LOCATIONS, CONDITIONS, SIZES PRIOR TO CONSTRUCTION. CONTRACTOR MAY RELOCATE DUE TO CONFLICTS THAT MAY ARISE IN FIELD AS LONG AS SIZE AND FUNCTION IS NOT AFFECTED.

ALL MEDIUM AND HIGH PRESSURE GAS PIPING SYSTEMS SHALL BE PLAINLY MARKED EVERY SIX FEET BY PERMANENT LABEL WITH THE WORDS "MEDIUM PRESSURE FUEL GAS" OR "HIGH PRESSURE FUEL GAS" LONGEST DEVELOPED LENGTH AFTER REGULATORS DOES NOT EXCEED 10 FEET UNLESS INDICATED.

FIELD VERIFY ALL LOCATIONS AND CONDITIONS. TDL AFTER REGULATOR DOES NOT EXCEED 20' UNLESS INDICATED. ALL GAS PIPING SHALL BE INSTALLED PER 03 IFGC, LOCAL CODE REQUIREMENTS.

THESE DRAWINGS ARE DIAGRAMMATIC IN NATURE AND DO NOT SHOW ALL PROVIDED PIPING. CONTRACTOR SHALL FIELD VERIFY ALL CONDITIONS AND PROVIDE ALL NECESSARY MATERIALS TO COMPLETE THE INTENT OF THE DRAWINGS. CONTRACTOR MAY LOCATE PIPING DIFFERENTLY THAN SHOWN ON DRAWINGS DUE TO CONFLICTS, AS LONG AS SIZE AND FUNCTION IS NOT AFFECTED. ISOMETRICS ARE SHOWN ONLY FOR CLARITY REFER TO DRAWINGS FOR LOCATIONS, SIZING AND ROUTING.

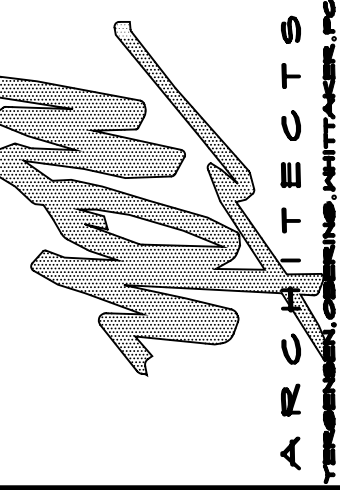


**Pinnow
Engineering** LLC

P.O. BOX 331
CASCADE, CO 80809
PHONE/FAX: 719.684.2209

OWNERSHIP OF DOCUMENT
THE IDEAS AND DESIGNS
INCORPORATED HEREIN, AS
AN INSTRUMENT OF
PROFESSIONAL SERVICES IS
THE PROPERTY OF PINNOW
ENGINEERING, LLC AND IS
NOT TO BE COPIED OR USED,
IN WHOLE OR PART, FOR
ANY OTHER PURPOSES
WITHOUT THE WRITTEN
AUTHORIZATION OF
PINNOW ENGINEERING, LLC.
© 2008

104 SOUTH WEBER, SUITE 400
COLORADO SPRINGS, COLORADO 80903
719.578.4444 FAX: 719.578.4444



ARCHITECTS

BECKETT DEVELOPMENT LLP
BECKETT FALCON INVESTMENTS LLP
104 SOUTH CASCADE AVENUE, SUITE 201
COLORADO SPRINGS, COLORADO 80903
PHONE: (719) 328-1501
FAX: (719) 328-1501

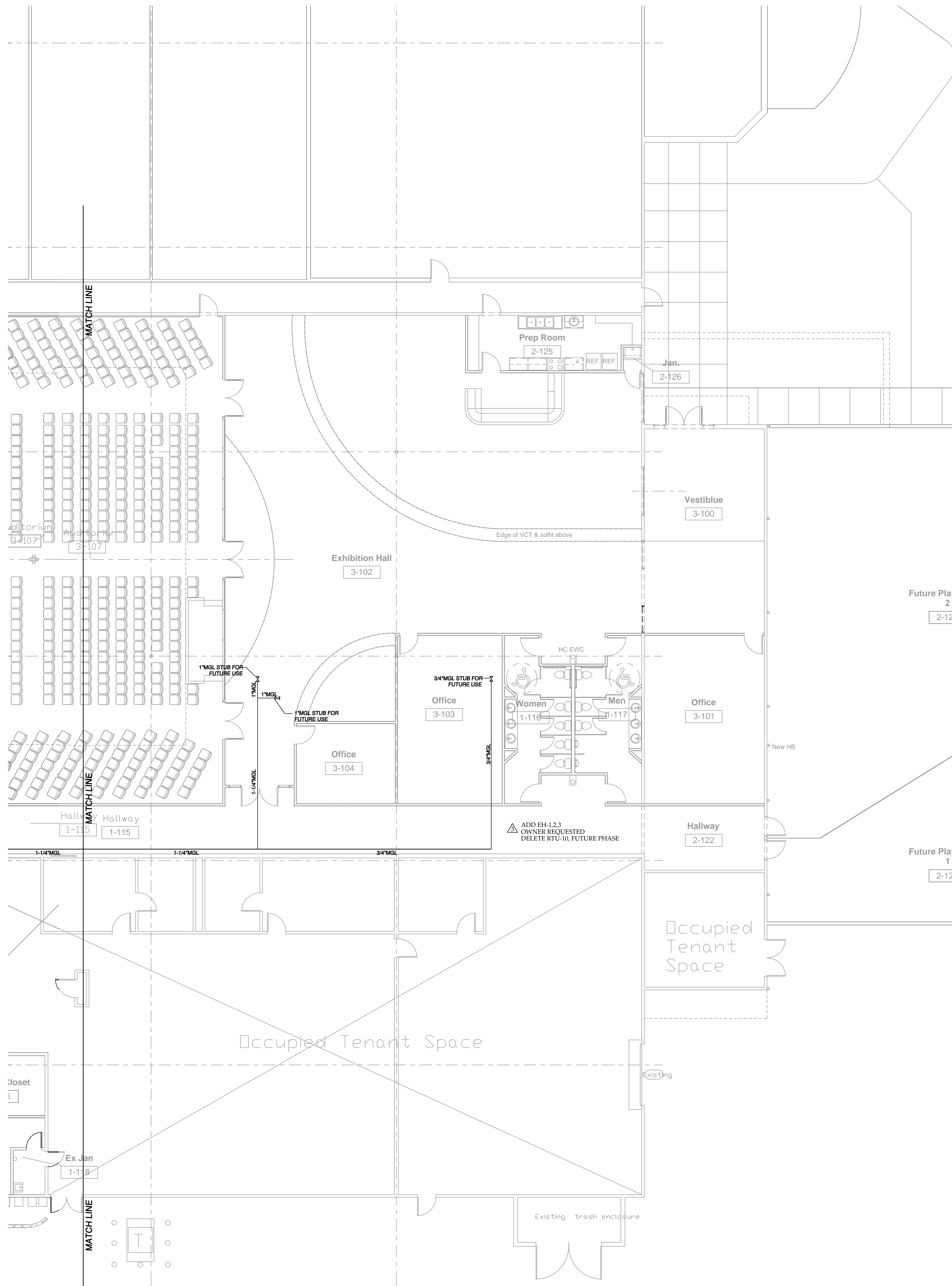
**CALVERY FELLOWSHIP
AT THE MART FOUNTAIN**
6436 SOUTH HIGHWAY 85-87
FOUNTAIN, COLORADO 80817

JOB NUMBER: P8-085
DRAWN BY: BCB
REVIEWED BY: LAP
REVIEW SET: 08/04/08
PERMIT SET: 09/22/08

REVISION:
11/24/08
ADJUST SEWER STUBS
SCHEDULE 40
RED COMMENTS
OWNER & CONST. CHANGE

NORTH SIDE
MECHANICAL PLAN

M-3
SCALE: 1/8"=1'-0" OF 4



**SOUTH SIDE
MECHANICAL PLAN**
Scale: 1/8"=1'-0"

LEGEND & NOTES

— MEDIUM PRESSURE GAS LINE (MGL)
 — REGULAR PRESSURE GAS LINE (GL)
 ⌘ GAS COCK
 ⌘ MEDIUM PRESSURE GAS REGULATOR

GAS PIPING SHALL BE SCHEDULE 40 METALLIC

FIELD VERIFY ALL LOCATIONS, CONDITIONS, SIZES PRIOR TO CONSTRUCTION. CONTRACTOR MAY RELOCATE DUE TO CONFLICTS THAT MAY ARISE IN FIELD AS LONG AS SIZE AND FUNCTION IS NOT AFFECTED.

ALL MEDIUM AND HIGH PRESSURE GAS PIPING SYSTEMS SHALL BE PLAINLY MARKED EVERY SIX FEET BY PERMANENT LABEL WITH THE WORDS "MEDIUM PRESSURE FUEL GAS" OR "HIGH PRESSURE FUEL GAS" LONGEST DEVELOPED LENGTH AFTER REGULATORS DOES NOT EXCEED 10 FEET UNLESS INDICATED.

FIELD VERIFY ALL LOCATIONS AND CONDITIONS. TDL AFTER REGULATOR DOES NOT EXCEED 20' UNLESS INDICATED. ALL GAS PIPING SHALL BE INSTALLED PER 03 IFGC, LOCAL CODE REQUIREMENTS.

THESE DRAWINGS ARE DIAGRAMMATIC IN NATURE AND DO NOT SHOW ALL REQUIRED PIPING. CONTRACTOR SHALL FIELD VERIFY ALL CONDITIONS AND PROVIDE ALL NECESSARY MATERIALS TO COMPLETE THE INTENT OF THE DRAWINGS. CONTRACTOR MAY LOCATE PIPING DIFFERENTLY THAN SHOWN ON DRAWINGS DUE TO CONFLICTS, AS LONG AS SIZE AND FUNCTION IS NOT AFFECTED. ISOMETRICS ARE SHOWN ONLY FOR CLARITY REFER TO DRAWINGS FOR LOCATIONS, SIZING AND ROUTING.

Pinnow Engineering LLC
 P.O. BOX 331
 CASCADE, CO 80809
 PHONE/FAX: 719.684.2209

OWNERSHIP OF DOCUMENT THE IDEAS AND DESIGNS INCORPORATED HEREIN, AS AN INSTRUMENT OF PROFESSIONAL SERVICES IS THE PROPERTY OF PINNOW ENGINEERING, LLC AND IS NOT TO BE COPIED OR USED, IN WHOLE OR PART, FOR ANY OTHER PURPOSES WITHOUT THE WRITTEN AUTHORIZATION OF PINNOW ENGINEERING, LLC. © 2008

16 SOUTH WEBER, SUITE 400
 COLORADO SPRINGS, COLORADO 80904
 719.578.4444 FAX: 719.578.4444

ARCHITECTS

BECKETT DEVELOPMENT LLP
BECKETT FALCON INVESTMENTS LLP
 104 SOUTH CASCADE AVENUE, SUITE 201
 COLORADO SPRINGS, COLORADO 80903
 PHONE: (719) 328-1600 FAX: (719) 328-1501

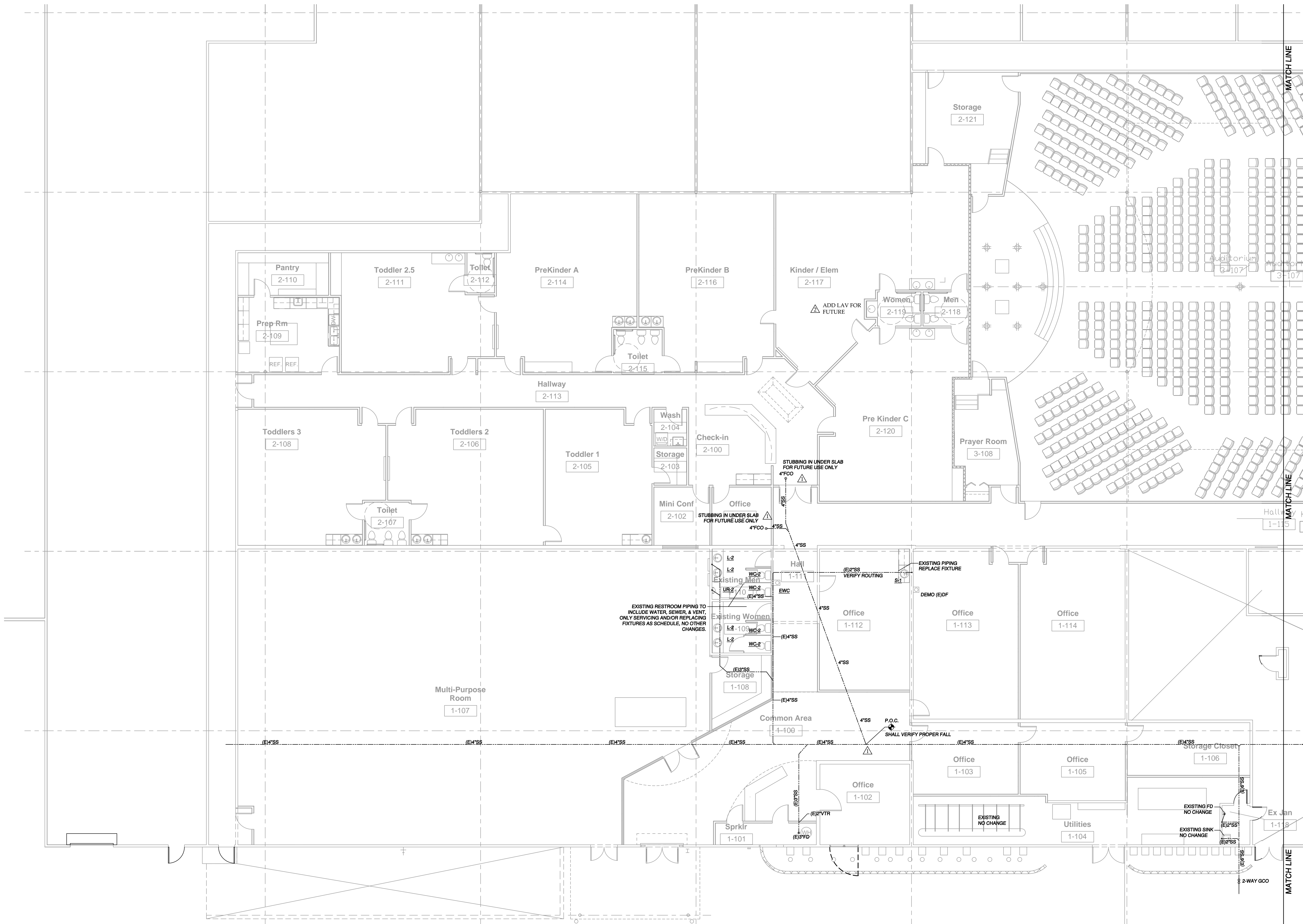
CALVERY FELLOWSHIP
AT THE MART FOUNTAIN
 6436 SOUTH HIGHWAY 85-87
 FOUNTAIN, COLORADO 80817

JOB NUMBER:	P8-085
DRAWN BY:	BCB
REVIEWED BY:	LAP
REVIEW SET:	08/04/08
PERMIT SET:	09/22/08
REVISION:	11/24/08
ADJUST SEWER STUBS	
SCHEDULE SET	
RED COMMENTS	
OWNER & CONST. CHANGE	

SOUTH SIDE
MECHANICAL PLAN

M-4

SCALE: 1/8"=1'-0" OF 4



NORTH SIDE PLUMBING PLAN
Scale: 1/8" = 1'-0"

LEGEND & NOTES

----- SANITARY SEWER (SS)	--- WALL CLEANOUT
----- VENT (V)	○ FLOOR/GRADE CLEANOUT
----- COLD WATER (C)	
----- HOT WATER (H)	
----- HOT WATER RECIRC (HWR)	
----- GREASE SEWER (GS)	
----- STORM DRAINAGE (SD)	

TRAP ARMS HORIZONTAL DISTANCES PER TABLE 906.1.06 I.P.C.
 PROVIDE GRADE, FLOOR, WALL, END OF LINE CLEANOUTS PER 708.06 I.P.C.
 NO 1/2"x1/2" WATER TEES ALLOWED.
 FIELD VERIFY ALL LOCATIONS, CONDITIONS, SIZES PRIOR TO CONSTRUCTION,
 CONTRACTOR MAY RELOCATE DUE TO CONFLICTS THAT MAY ARISE IN FIELD AS
 LONG AS SIZE AND FUNCTION IS NOT AFFECTED.
 THESE DRAWINGS ARE DIAGRAMMATIC IN NATURE AND DO NOT SHOW ALL
 REQUIRED PIPING. CONTRACTOR SHALL FIELD VERIFY ALL CONDITIONS AND
 PROVIDE ALL NECESSARY MATERIALS TO COMPLETE THE INTENT OF THE
 DRAWINGS. CONTRACTOR MAY LOCATE PIPING DIFFERENTLY THAN SHOWN ON
 DRAWINGS DUE TO CONFLICTS, AS LONG AS SIZE AND FUNCTION IS NOT
 AFFECTED. ISOMETRICS ARE SHOWN ONLY FOR CLARITY REFER TO DRAWINGS
 FOR LOCATIONS, SIZING AND ROUTING.

Pinnow Engineering
 P.O. BOX 331
 CASCADE, CO 80809
 PHONE/FAX: 719.684.2209

OWNERSHIP OF DOCUMENT
 THE IDEAS AND DESIGNS
 INCORPORATED HEREIN, AS
 AN INSTRUMENT OF
 PROFESSIONAL SERVICES IS
 THE PROPERTY OF PINNOW
 ENGINEERING, LLC AND IS
 NOT TO BE COPIED OR USED,
 IN WHOLE OR PART, FOR
 ANY OTHER PURPOSES
 WITHOUT THE WRITTEN
 AUTHORIZATION OF
 PINNOW ENGINEERING, LLC.
 © 2008

US SOUTH WEBER, SUITE 400
 COLORADO SPRINGS, COLORADO 80904
 719.575.4444 FAX 719.575.4444

ARCHITECTS

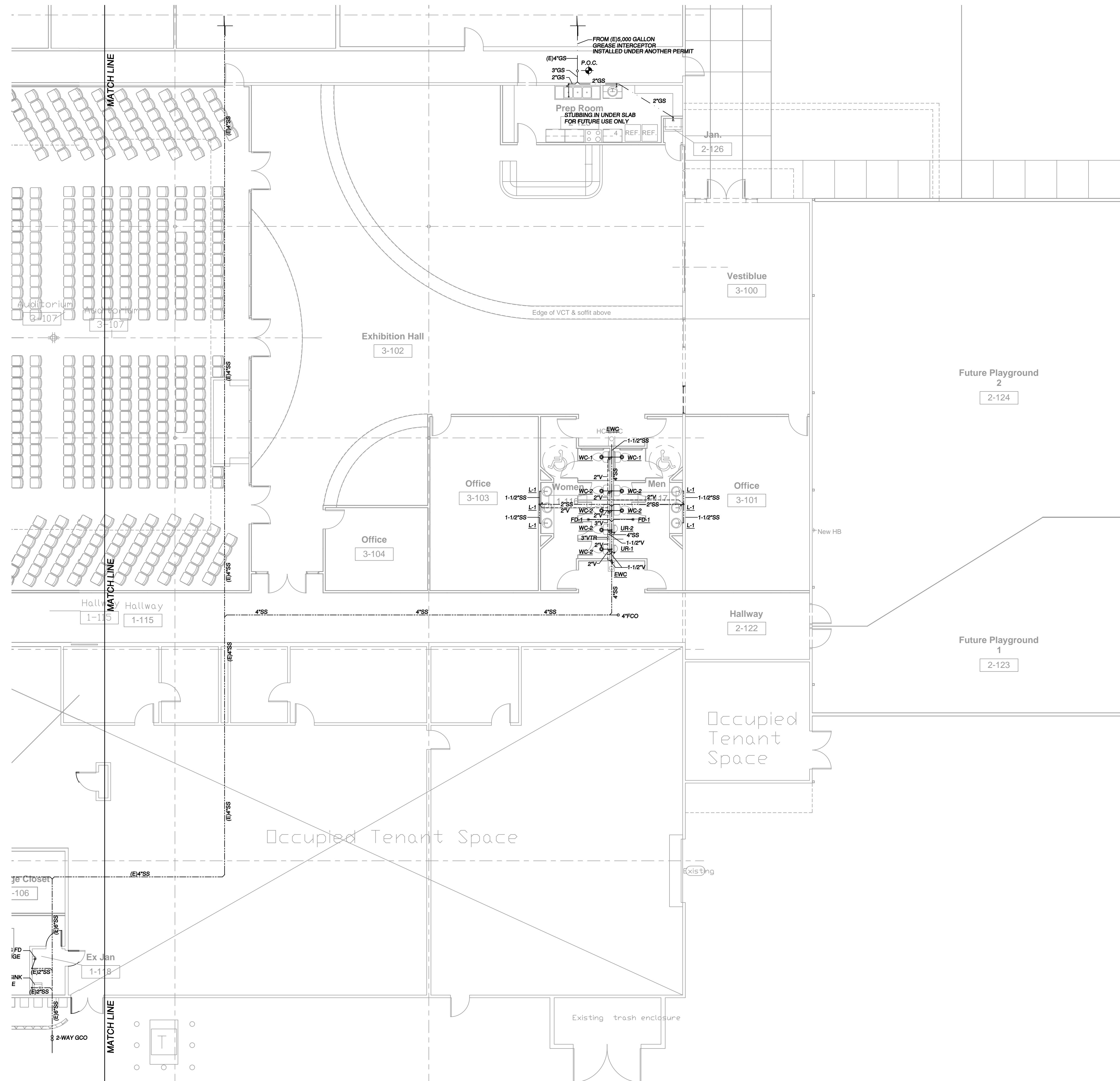
BECKETT DEVELOPMENT LLP
BECKETT FALCON INVESTMENTS LLP
 104 SOUTH CASCADE AVENUE, SUITE 201
 COLORADO SPRINGS, COLORADO 80903
 PHONE: (719) 328-1600 FAX: (719) 328-1501

CALVERY FELLOWSHIP
AT THE MART FOUNTAIN
 6436 SOUTH HIGHWAY 85-87
 FOUNTAIN, COLORADO 80817

JOB NUMBER:	P8-085
DRAWN BY:	BCB
REVIEWED BY:	LAP
REVIEW SET:	08/04/08
PERMIT SET:	09/22/08

REVISION: 11/24/08
 ADJUST SEWER STUBS
 SCHEDULE SET
 RED COMMENTS
 OWNER & CONST. CHANGE

P-1
 SCALE: 1/8" = 1'-0" OF 4

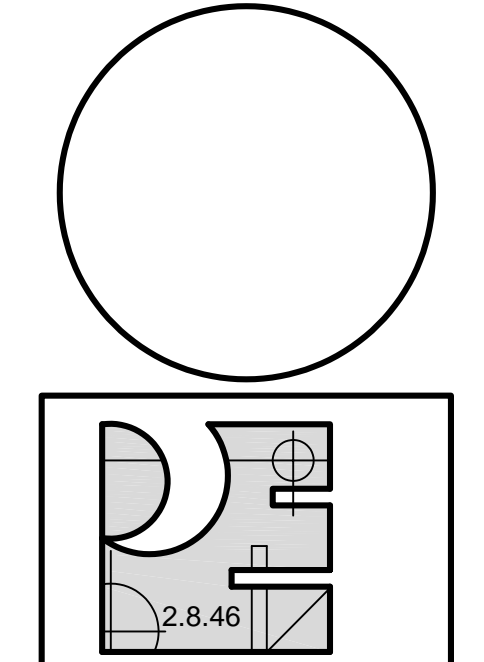


LEGEND & NOTES

- - - - - SANITARY SEWER (SS) ← WALL CLEANOUT
 - - - - - VENT (V) ○ FLOOR/GRADE CLEANOUT
 - - - - - COLD WATER (C)
 - - - - - HOT WATER (H)
 - - - - - HOT WATER RECIRC (HWR)
 - - - - - GREASE SEWER (GS)
 - - - - - STORM DRAINAGE (SD)

TRAP ARMS HORIZONTAL DISTANCES PER TABLE 906.1.06 I.P.C.
 PROVIDE GRADE, FLOOR, WALL, END OF LINE CLEANOUTS PER 708.06 I.P.C.
 NO 1/2" WATER TEES ALLOWED.
 FIELD VERIFY ALL LOCATIONS, CONDITIONS, SIZES PRIOR TO CONSTRUCTION.
 CONTRACTOR MAY RELOCATE DUE TO CONFLICTS THAT MAY ARISE IN FIELD AS
 LONG AS SIZE AND FUNCTION IS NOT AFFECTED.
 THESE DRAWINGS ARE DIAGRAMMATIC IN NATURE AND DO NOT SHOW ALL
 REQUIRED PIPING. CONTRACTOR SHALL FIELD VERIFY ALL CONDITIONS AND
 PROVIDE ALL NECESSARY MATERIALS TO COMPLETE THE INTENT OF THE
 DRAWINGS. CONTRACTOR MAY LOCATE PIPING DIFFERENTLY THAN SHOWN ON
 DRAWINGS DUE TO CONFLICTS, AS LONG AS SIZE AND FUNCTION IS NOT
 AFFECTED. ISOMETRICS ARE SHOWN ONLY FOR CLARITY REFER TO DRAWINGS
 FOR LOCATIONS, SIZING AND ROUTING.

**SOUTH SIDE
PLUMBING PLAN**
Scale: 1/8"=1'-0"



**Pinnow
Engineering**
P.O. BOX 331
CASCADE, CO 80809
PHONE/FAX: 719.684.2209

OWNERSHIP OF DOCUMENT
THE IDEAS AND DESIGNS
INCORPORATED HEREIN, AS
AN INSTRUMENT OF
PROFESSIONAL SERVICES IS
THE PROPERTY OF PINNOW
ENGINEERING, LLC AND IS
NOT TO BE COPIED OR USED,
IN WHOLE OR PART, FOR
ANY OTHER PURPOSES
WITHOUT THE WRITTEN
AUTHORIZATION OF
PINNOW ENGINEERING, LLC.
© 2008

THE SOUTH WEBBER, SUITE 400
COLORADO SPRINGS, COLORADO 80904
719.578.4444 FAX: 719.578.4444

ARCHITECTS

BECKETT DEVELOPMENT LLP
BECKETT FALCON INVESTMENTS LLP
104 SOUTH CASCADE AVENUE, SUITE 201
COLORADO SPRINGS, COLORADO 80903
PHONE: (719) 328-1600 FAX: (719) 328-1501

CALVERY FELLOWSHIP
AT THE MART FOUNTAIN
6436 SOUTH HIGHWAY 85-87
FOUNTAIN, COLORADO 80817

JOB NUMBER:	P8-085
DRAWN BY:	BCB
REVIEWED BY:	LAP
REVIEW SET:	08/04/08
PERMIT SET:	09/22/08
REVISION:	11/24/08
ADJUST SEWER STUBS	
SCHEDULE SET	
RED COMMENTS	
OWNER & CONST. CHANGE	

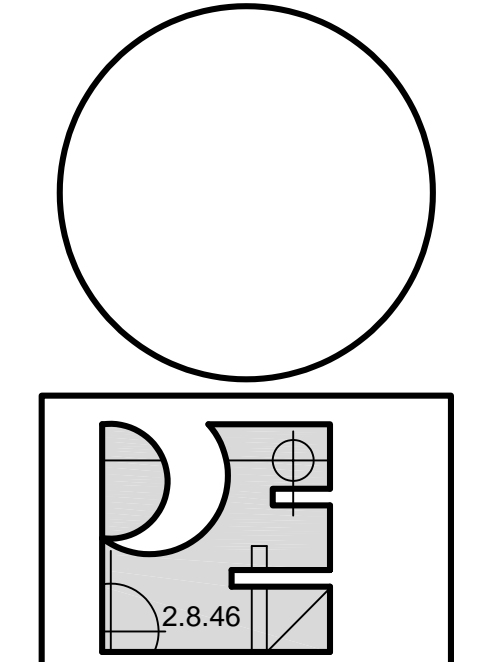
SOUTH SIDE
PLUMBING PLAN

LEGEND & NOTES

- SANITARY SEWER (SS)
- VENT (V)
- COLD WATER (C)
- HOT WATER (H)
- GREASE SEWER (GS)
- STORM DRAINAGE (SD)
- WALL CLEANOUT
- ⊙ FLOOR/GRADE CLEANOUT

TRAP ARMS HORIZONTAL DISTANCES PER TABLE 906.1 06 I.P.C.
 PROVIDE GRADE, FLOOR, WALL, END OF LINE CLEANOUTS PER 708 06 I.P.C.
 NO 1/2" WATER TEES ALLOWED.
 FIELD VERIFY ALL LOCATIONS, CONDITIONS, SIZES PRIOR TO CONSTRUCTION.
 CONTRACTOR MAY RELOCATE DUE TO CONFLICTS THAT MAY ARISE IN FIELD AS LONG AS SIZE AND FUNCTION IS NOT AFFECTED.

THESE DRAWINGS ARE DIAGRAMMATIC IN NATURE AND DO NOT SHOW ALL REQUIRED PIPING. CONTRACTOR SHALL FIELD VERIFY ALL CONDITIONS AND PROVIDE ALL NECESSARY MATERIALS TO COMPLETE THE INTENT OF THE DRAWINGS. CONTRACTOR MAY LOCATE PIPING DIFFERENTLY THAN SHOWN ON DRAWINGS DUE TO CONFLICTS, AS LONG AS SIZE AND FUNCTION IS NOT AFFECTED. ISOMETRICS ARE SHOWN ONLY FOR CLARITY REFER TO DRAWINGS FOR LOCATIONS, SIZING AND ROUTING.



Pinnow Engineering
 P.O. BOX 331
 CASCADE, CO 80809
 PHONE/FAX: 719.684.2209

OWNERSHIP OF DOCUMENT
 THE IDEAS AND DESIGNS INCORPORATED HEREIN, AS AN INSTRUMENT OF PROFESSIONAL SERVICES IS THE PROPERTY OF PINNOW ENGINEERING, LLC AND IS NOT TO BE COPIED OR USED, IN WHOLE OR PART, FOR ANY OTHER PURPOSES WITHOUT THE WRITTEN AUTHORIZATION OF PINNOW ENGINEERING, LLC.
 © 2008

BECKETT DEVELOPMENT LLP
 BECKETT FALCON INVESTMENTS LLP
 104 SOUTH CASCADE AVENUE, SUITE 201
 COLORADO SPRINGS, COLORADO 80903
 PHONE: (719) 328-1500
 FAX: (719) 328-1501

CALVERY FELLOWSHIP
 AT THE MART FOUNTAIN
 6436 SOUTH HIGHWAY 85-87
 FOUNTAIN, COLORADO 80817

JOB NUMBER: P8-085
 DRAWN BY: BCB
 REVIEWED BY: LAP
 REVIEW SET: 08/04/08
 PERMIT SET: 09/22/08

REVISION:
 11/24/08
 ADJUST SEWER STUBS
 SCHEDULE SET
 RED COMMENTS
 OWNER & CONST. CHANGE

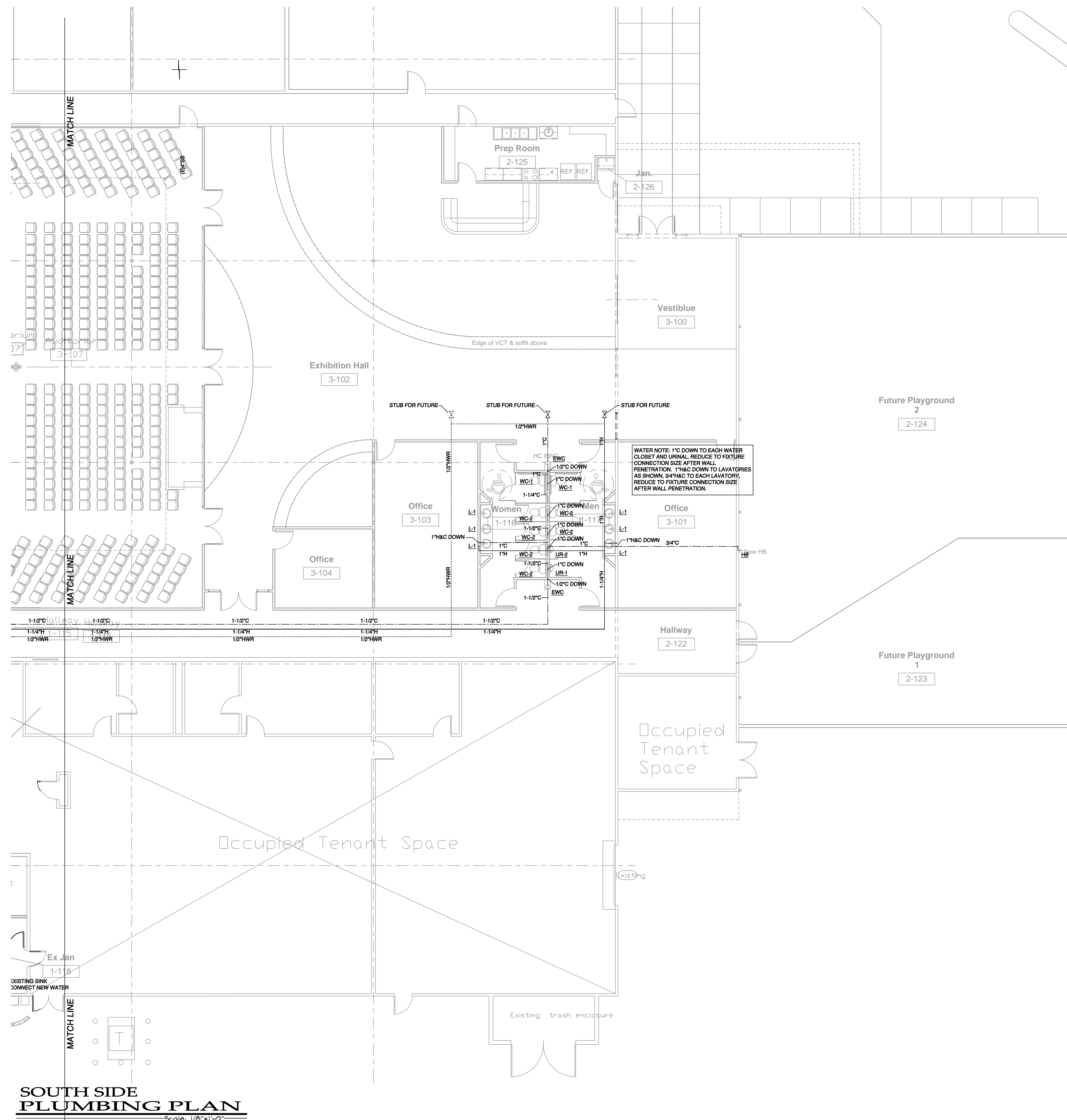
NORTH SIDE
 PLUMBING PLAN

P-3

SCALE: 1/8"=1'-0" OF 4



**NORTH SIDE
 PLUMBING PLAN**
 Scale: 1/8"=1'-0"



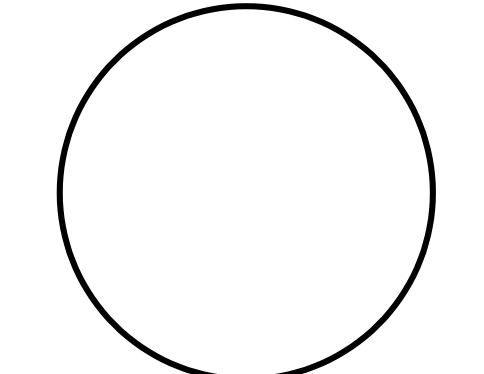
LEGEND & NOTES

- - - - - SANITARY SEWER (SS) — WALL CLEANOUT
 - - - - - VENT (V) © FLOOR/GRADE CLEANOUT
 - - - - - COLD WATER (C)
 - - - - - HOT WATER (H)
 - - - - - HOT WATER RECIRC (HWR)
 - - - - - GREASE SEWER (GS)
 - - - - - STORM DRAINAGE (SD)

TRAP ARMS HORIZONTAL DISTANCES PER TABLE 906.1.06 I.P.C.
 PROVIDE GRADE, FLOOR, WALL, END OF LINE CLEANOUTS PER 708.06 I.P.C.
 NO 1/2"x1/2" WATER TEES ALLOWED
 FIELD VERIFY ALL LOCATIONS, CONDITIONS, SIZES PRIOR TO CONSTRUCTION.
 CONTRACTOR MAY RELOCATE DUE TO CONFLICTS THAT MAY ARISE IN FIELD AS
 LONG AS SIZE AND FUNCTION IS NOT AFFECTED.

THESE DRAWINGS ARE DIAGRAMMATIC IN NATURE AND DO NOT SHOW ALL
 REQUIRED PIPING. CONTRACTOR SHALL FIELD VERIFY ALL CONDITIONS AND
 PROVIDE ALL NECESSARY MATERIALS TO COMPLETE THE INTENT OF THE
 DRAWINGS. CONTRACTOR MAY LOCATE PIPING DIFFERENTLY THAN SHOWN ON
 DRAWINGS DUE TO CONFLICTS, AS LONG AS SIZE AND FUNCTION IS NOT
 AFFECTED. ISOMETRICS ARE SHOWN ONLY FOR CLARITY REFER TO DRAWINGS
 FOR LOCATIONS, SIZING AND ROUTING.

**SOUTH SIDE
PLUMBING PLAN**
Scale: 1/8"=1'-0"



**Pinnow
Engineering** LLC
P.O. BOX 331
CASCADE, CO 80809
PHONE/FAX: 719.684.2209

OWNERSHIP OF DOCUMENT
THE IDEAS AND DESIGNS
INCORPORATED HEREIN, AS
AN INSTRUMENT OF
PROFESSIONAL SERVICES IS
THE PROPERTY OF PINNOW
ENGINEERING, LLC AND IS
NOT TO BE COPIED OR USED,
IN WHOLE OR PART, FOR
ANY OTHER PURPOSES
WITHOUT THE WRITTEN
AUTHORIZATION OF
PINNOW ENGINEERING, LLC.
© 2008

DR. SOUTH WEBER, SUITE 400
 COLORADO SPRINGS, COLORADO 80903
 719.575.4444 FAX 719.575.4444

ARCHITECTS

BECKETT DEVELOPMENT LLP
BECKETT FALCON INVESTMENTS LLP
104 SOUTH CASCADE AVENUE, SUITE 201
COLORADO SPRINGS, COLORADO 80903
PHONE: (719) 328-1600 FAX: (719) 328-1501

CALVERY FELLOWSHIP
AT THE MART FOUNTAIN
6436 SOUTH HIGHWAY 85-87
FOUNTAIN, COLORADO 80817

JOB NUMBER:	P8-085
DRAWN BY:	BCB
REVIEWED BY:	LAP
REVIEW SET:	08/04/08
PERMIT SET:	09/22/08
REVISION:	11/24/08
ADJUST SEWER STUBS	
SCHEDULE SET	
RED COMMENTS	
OWNER & CONST. CHANGE	

SOUTH SIDE
PLUMBING PLAN

P-4

SCALE: 1/8"=1'-0" OF 4

MECHANICAL & PLUMBING SPECIFICATION

A. SEE ARCHITECTURAL SPECIFICATION DRAWING FOR GENERAL CONDITIONS.
 B. PROVIDE ALL ITEMS FOR COMPLETE AND SUCCESSFUL OPERATION OF ALL PIPING SYSTEMS.
 C. DRAWINGS ARE DIAGRAMMATIC ONLY. FOLLOW DRAWINGS AS CLOSELY AS ACTUAL BUILDING CONSTRUCTION AND THE WORK OF OTHER TRADES WILL PERMIT.
 D. VISIT SITE AND INCLUDE ALLOWANCE IN BID FOR ALL COSTS RELATED TO THE PIPING INSTALLATION.
 E. DEMONSTRATE THE OPERATION OF ALL SYSTEMS FOR THE OWNER AT A TIME AS DIRECTED BY THE OWNER.
 F. LAY OUT ALL WORK IN ADVANCE. DO NOT DEFACE WORK OF OTHER TRADES. INSTALL ALL SLEEVES AND BLOCK OUTS. WATERPROOF AS REQUIRED. FIRE STOP ALL FLOORS AND RATED WALL PENETRATIONS.

G. FIELD CHECK ALL EXISTING CONDITIONS AND INCLUDE AN ALLOWANCE IN BID FOR REMOVAL AND/OR RELOCATION OF EXISTING PIPING, EQUIPMENT, ETC., AS INDICATED ON THE PLANS OR AS REQUIRED TO COORDINATE AND ADAPT NEW AND EXISTING MECHANICAL SYSTEMS TO ALL OTHER WORK. EXISTING PIPING AND MATERIAL WHICH SHALL BE REMOVED SHALL BECOME THE PROPERTY OF THE CONTRACTOR, EXCEPT EQUIPMENT SO NOTED, WHICH SHALL BECOME THE PROPERTY OF THE OWNER.
 H. THE CONTRACTOR SHALL MAINTAIN A MARK-UP SET OF DRAWINGS WHICH INDICATE VARIATIONS IN THE ACTUAL INSTALLATION FROM THE ORIGINAL DESIGN. TURN OVER DRAWINGS TO OWNER UPON PROJECT COMPLETION.

I. VERIFY THE ACTUAL ELECTRICAL SERVICE/VOLTAGE WITH THE ELECTRICAL CONTRACTOR PRIOR TO ORDERING ANY EQUIPMENT REQUIRING ELECTRICAL CONNECTIONS.

STANDARDS:
 ALL PIPING MATERIALS SHALL BE NEW IN FIRST CLASS CONDITION, AND U.L. LISTED WHERE APPLICABLE.
 B. COMPLY WITH ALL APPLICABLE LOCAL, CITY CODES AND AMENDMENTS, COUNTY AND STATE ORDINANCES, COMPLY WITH CURRENT INTERNATIONAL BUILDING CODE, INTERNATIONAL MECHANICAL CODE, INTERNATIONAL PLUMBING CODE, AND NATIONAL FIRE PROTECTION ASSOCIATION IN EFFECT FOR THIS JURISDICTION.

C. PROCURE AND PAY FOR ALL PERMITS, CONTRACTOR LICENSES, AND LIABILITY INSURANCE, ETC., FURNISH CERTIFICATE OF FINAL INSPECTION AND APPROVAL FROM LOCAL INSPECTOR.
 D. MATERIAL SHALL BE AS SPECIFIED, AND/OR NOTED ON THE CONTRACT DRAWINGS.

E. ALL MATERIALS AND EQUIPMENT LOCATED IN AIR FLENUMS SHALL BE RATED FOR PLENUM APPLICATION.
 GUARANTEE
 A. REPLACE ANY WORK OR MATERIAL INSTALLED OR FURNISHED UNDER THIS CONTRACT WHICH DEVELOPS DEFECTS, EXCEPT FOR NORMAL WEAR, WITHIN ONE (1) YEAR AFTER FINAL PLUMBING INSPECTIONS HAVE BEEN SECURED.

COORDINATION
 A. PRIOR TO FABRICATION OR INSTALLATION OF ANY PLUMBING WORK, PARTICIPATE IN COORDINATION PLANNING MEETINGS WITH ALL OTHER BUILDING UTILITIES SYSTEMS TRADES, UNDER THE DIRECTION OF THE GENERAL CONTRACTOR, SO AS TO COMPLETELY ESTABLISH ROUTINGS, ELEVATIONS, SPACE REQUIREMENTS, AND COORDINATION OF LAYOUT AND SUPERVISION REQUIREMENTS IN RELATIONSHIP TO THE BUILDING STRUCTURE AND THE WORK OF ALL OTHER TRADES.
 BASIC MATERIALS AND METHODS
 GENERAL
 A. THE WORK INCLUDED UNDER THIS HEADING CONSISTS OF FURNISHING MATERIAL, SUPPLIES, EQUIPMENT, TOOLS, TRANSPORTATION AND FACILITIES, AND PERFORMING ALL LABOR AND SERVICES FOR, AS REQUIRED IN CONNECTION WITH, OR PROPERLY INCIDENTAL TO, THE PLUMBING INSTALLATION, AS DESCRIBED IN THESE SECTIONS OF THE SPECIFICATIONS, SHOWN ON THE DRAWINGS, OR REASONABLY IMPLIED THEREFROM.
 WORK INCLUDED
 A. COMPLETE INSTALLATION OF NEW PLUMBING SYSTEM COMPONENTS AS SHOWN ON THE DRAWINGS AND DESCRIBED IN THESE SPECIFICATIONS. INSTALL NATURAL GAS PIPING, REGULATORS TO GAS FIRED UNITS AS SHOWN ON THE DRAWINGS AND AS DESCRIBED IN THESE SPECIFICATIONS.
 B. PROVIDE MECHANICAL IDENTIFICATION FOR ALL NEW PIPING. IDENTIFICATION SHALL BE BY SET OR BRADY AND CONSIST OF THE FOLLOWING:
 1. BRASS VALVE TAGS WITH STAMPED LETTERS SHALL BE PROVIDED FOR ALL VALVES. SECURE TO THE VALVE WITH CHROME PLATED BALL CHAINS.
 2. IDENTIFY ALL PIPING AND EQUIPMENT WITH PAINTED STENCILS, PLASTIC PIPE MARKERS OR PLASTIC TAPE MARKERS. MARKERS SHALL INDICATE TYPE INCLUDING SUPPLY OR RETURN AND DIRECTION OF FLOW.
 3. ALL IDENTIFICATION SHALL CONFORM WITH ANSI A13.1.
 MECHANICAL INSULATION
 A. MANUFACTURERS: OWENS-CORNING, P.P.G., JOHNS-MANVILLE, C.S.G. CO., ARISTONS, OR EQUAL.
 B. PLUMBING PIPING TO BE INSULATED AS FOLLOWS, (BRANCH LINES TO FIXTURE CONNECTIONS DO NOT REQUIRE INSULATION):
 1. DOMESTIC COLD WATER
 2. DOMESTIC HOT WATER
 3. DOMESTIC HOT CIRCULATING WATER
 4. ROOF DRAIN EGALS
 5. HORIZONTAL ROOF DRAIN PIPING INSULATION SHALL BE SNAP-ON TYPE, FIBERGLASS PIPE INSULATION, 1/2" THICK, WITH WHITE SELF-SEALING FLAME RETARDANT VAPOR BARRIER JACKET. ALL VALVES AND FITTINGS SHALL BE INSULATED.
 C. INSULATION SHALL MEET ALL CODE REQUIREMENTS AND FIRE AND SMOKE HAZARD RATINGS AS TESTED BY PROCEDURE ASTM E-84. NATIONAL FIRE PROTECTION ASSOCIATION 225 AND U.L. T25 NOT EXCEEDING FLAME SPREAD 25 AND SMOKE DEVELOPED 50 RATINGS. PER IECC SECTION 803.2.4
 D. PROVIDE RIGID INSERTS AT ALL INSULATED HANGER LOCATIONS 2 1/2" AND LARGER. PROVIDE 180 DEGREE GALVANIZED STEEL SADDLES.
 PLUMBING GENERAL
 A. THE WORK INCLUDED UNDER THIS HEADING CONSISTS OF FURNISHING MATERIALS, SUPPLIES, EQUIPMENT, TOOLS, TRANSPORTATION AND FACILITIES, AND PERFORMING ALL LABOR AND SERVICES FOR, AS REQUIRED IN CONNECTION WITH, OR PROPERLY INCIDENTAL TO, THE PLUMBING WORK, AS DESCRIBED IN THESE SECTIONS OF THE SPECIFICATIONS, SHOWN ON THE DRAWINGS, OR REASONABLY IMPLIED THEREFROM.
 C. PROVIDE ALL REQUIRED INDIRECT DRAINS WITH A 1/2" INCH AIR GAP OR AS REQUIRED BY 2003 IMC, SECTION 802.2
 D. COMPLETE INSTALLATIONS OF NEW NATURAL GAS PIPING, SUPPORTS, HANGERS, REGULATORS AND VALVES TO MAKE ALL SYSTEMS OPERATIONAL TO THE EXTENT INDICATED. INSTALL PER 2003 IFGC SECTION 404.
 PIPE MATERIAL
 A. SOIL, WASTE, VENTS, DRAINS ABOVE GROUND, NO-HUB CAST IRON SERVICE HEIGHT, CONFORMING TO CISPI 301, ASTM A-888 OR ASTM A-74 WITH CISPI 310 STANDARD JOINTS MADE OF NEOPRENE GASKETS AND STAINLESS STEEL CLAMP AND SHIELD ASSEMBLIES. BELOW GROUND CAST IRON CONFORMING TO THE REQUIREMENTS OF ASTM A74, HUB AND SPIGOT, CISPI 15M COMPRESSION TYPE WITH ASTM C664 NEOPRENE GASKETS. SUPPORT, SHAY BRACE AND ROD JOINTS AS REQUIRED BY IMC AND RECOMMENDED BY THE CAST IRON SOIL PIPE INSTITUTE. NOTE: PVC / ABS CONFORMING TO ASTM D-1784, D-2665 AND D-3911 MAY BE USED IF ALLOWED BY CODE.
 B. DOMESTIC COLD AND HOT WATER PIPING WITHIN THE BUILDING ABOVE GRADE, COPPER WATER TUBE ASTM B88, TYPE "M", HARD DRAWN, CAST BRONZE OR NROUGHT COPPER FITTINGS, SOLDER JOINT TYPE, USING ONLY LEAD FREE SOLDER.

C. GAS PIPING, SCHEDULE 40 STEEL, THREADED MALLEABLE FITTINGS, 2-INCH AND SMALLER, BUTT WELD 2-1/2 INCH AND LARGER. ALL WELDING SHALL BE BY A CERTIFIED PIPELINE WELDER. NATURAL GAS PIPING, ABOVE GRADE: EXPOSED LOCATION: 2-INCH AND SMALLER; SCHEDULE 40 BLACK STEEL PIPE, BEVELED ENDS, WITH 150 LB. MALLEABLE IRON FITTINGS AND THREADED JOINTS. OVER 2-INCH: SCHEDULE 40 BLACK STEEL WITH SEAMLESS STEEL BUTT WELD FITTINGS AND WELDED JOINTS. ALL WELDING SHALL BE BY A CERTIFIED PIPELINE WELDER. INACCESSIBLE LOCATION OR PLenums; ALL SIZES: SCHEDULE 40 SEAMLESS BLACK STEEL PIPE, BEVELED ENDS, WITH SOCKET WELD FITTINGS SAME THICKNESS AS PIPE, WELDED JOINTS. ALL WELDING SHALL BE BY A CERTIFIED PIPELINE WELDER.
 G. DOMESTIC WATER STERILIZATION SHALL BE CONDUCTED AND CERTIFIED AS REQUIRED BY THE STATE DEPARTMENT OF PUBLIC HEALTH.
 H. PROVIDE NON-CONDUCTING DIELECTRIC FITTINGS AND/OR COUPLINGS WHEN JOINING PIPE OF DISSIMILAR MATERIAL.
 VALVES
 A. BALL VALVES: BRONZE BODY FULL PORT STAINLESS STEEL BALL, TEFLON SEATS AND STEERING BOX RING, BLOWOUT PROOF STEM, LEVER HANDLE AND THREADED ENDS, NIBCO T-585 OR EQUAL.
 B. GAS COCKS 2-INCH AND SMALLER: 150 PSI WOG BRONZE BODY, STRAIGHTWAY PATTERN, SQUARE HANE, THREADED ENDS.
 C. GAS COCKS 2-1/2" INCH AND LARGER: M65 SP-18, (75 PSI), LUBRICATED PLUG TYPE, SEMI-STEEL BODY, SINGLE DIAL, WRENCH OPERATED, FLANGED ENDS.
 D. GAS LINE PRESSURE REGULATORS, SINGLE STAGE, STEEL JACKETED, CORROSION RESISTANT GAS PRESSURE REGULATORS, WITH ATMOSPHERIC VENT, ELEVATION COMPENSATOR, WITH THREADED ENDS FOR 2-INCH AND SMALLER, FLANGED ENDS FOR 2-1/2" INCH AND LARGER; FOR INLET AND OUTLET GAS PRESSURES, SPECIFIC GRAVITY, AND VOLUME FLOW INDICATED.
 CLEANOUTS
 A. PROVIDE CLEANOUTS WHERE SHOWN ON THE DRAWINGS AND AT ALL BENDS OF 90 DEGREES OR MORE, AND SHALL BE SPACED AT NOT OVER 75 FEET APART IN ANY LINEAL RUN OF PIPING. ALL SHALL BE ACCESSIBLE IF NOT, THEY SHALL BE EXTENDED TO THE FLOOR ABOVE AND PROVIDED WITH CHROME VALVE OR FLOOR COVER.
 B. CLEANOUTS SHALL BE INSTALLED PER 2003 IFGC SECTION 708 AND SIZED PER SECTION 708, OR LOCAL CODE AMENDMENTS.
 C. MANUFACTURERS: JOSAM, ZURN, JAY R SMITH, MADE, OR EQUAL.
 D. DOMESTIC WATER METER TO BE THE TYPE AND SIZE AS REQUIRED BY THE CITY WATER DEPARTMENT, AND SHALL BE FURNISHED BY THE OWNER AND INSTALLED BY THE PLUMBING CONTRACTOR. WATER METER SHALL BE INSTALLED ACCORDING TO THE CITY WATER DEPARTMENT STANDARDS, INCLUDING A REMOTE READER MOUNTED ON THE BUILDING EXTERIOR WALL.
 AIR DISTRIBUTION
 A. FURNISH AND INSTALL DUCTWORK AND SHEET METAL ACCESSORIES AS SHOWN AND SPECIFIED HEREIN.
 B. COMPLY WITH APPLICABLE NFPA AND SMACNA STANDARDS, ASHRAE HANDBOOK, UL 181, AND OS IMC.
 C. IN ADDITION TO ALL ITEMS SCHEDULED ON THE DRAWINGS, FURNISH SUBMITTALS ON ALL ITEMS SPECIFIED HEREIN.
 D. DUCTWORK MATERIALS: 1. GAUGE AS PRESCRIBED BY CODE. 2. FLAT SHEETS ASTM A513, ROUND FABRICATION TYPE. 3. FABRICATION IN ACCORDANCE WITH SMACNA AND ASHRAE STANDARDS FOR VELOCITY DUCTWORK. 4. MANUFACTURED DUCT CONNECTION SYSTEM MAY BE UTILIZED FOR TRANSVERSE JOINTS IN RECTANGULAR GALVANIZED STEEL DUCTWORK PROVIDED IN STRICT ACCORDANCE WITH MANUFACTURER'S RECOMMENDATIONS. 5. MATERIALS EXPOSED GALVANIZED STEEL CONCEALED GALVANIZED STEEL, FLEX LOW PRESSURE TYPE PLENUM RATED PER OS IMC.
 E. FLEX DUCT ACCEPTABLE MANUFACTURER FLEXMASTER, CLASSIFICATION NFPA 90A CLASS 1, UL 181 LABELED. LOW PRESSURE FLEXMASTER TYPE 5-INSULATED, FACTORY FABRICATED ASSEMBLY CONSISTING OF ZINC-COATED SPRING STEEL HELIX, SEAMLESS INNER LINER WRAPPED WITH A NOMINAL 1" THICK ONE-POUND DENSITY FIBERGLASS INSULATION ALL ASSEMBLED IN A VAPOR BARRIER JACKET, RATED FOR PRESSURES TO +3" W.G.
 F. SPIN-INS WITH BALANCING DAMPERS.
 G. DUCTWORK SPECIALTIES TURNING 1. TURNING VANES CONSTRUCTION DOUBLE-THICKNESS AIR FOIL NONADJUSTABLE. 2. BALANCING DAMPERS CONSTRUCTION RIGID BEARINGS AND LOCKING QUADRANTS WHERE USED IN CONNECTION WITH DUCT-MOUNTED COILS PROVIDES OPPOSED-BLADE TYPE WITH MAX 2" WIDE BLADES. 3. FLEX CONNECTION EQUIPMENT TO VENT/FIBERGLASS VENTGLAS. 4. TEST HOLE LOW VELOCITY DUCTWORK DRILLED HOLE WITH FRICTION-FIT PLASTIC CAP ON METAL DUCT. 5. DUCT SEALANT COMPLIES WITH OS IECC.
 H. GRILLES, REGISTERS, AND DIFFUSERS ACCEPTABLE MANUFACTURERS: NAILOR, CARNES, TITUS, TUTTLE & BAILEY, AND METAL AIR.

I. ALL VELOCITY DUCTWORK: 1. ALL DUCTWORK IS CLASSIFIED AS LOW VELOCITY UNLESS INDICATED OTHERWISE. FABRICATION IN ACCORDANCE WITH SMACNA AND ASHRAE STANDARDS FOR VELOCITY DUCTWORK. 2. MANUFACTURED DUCT CONNECTION SYSTEM MAY BE UTILIZED FOR TRANSVERSE JOINTS IN RECTANGULAR GALVANIZED STEEL DUCTWORK PROVIDED IN STRICT ACCORDANCE WITH MANUFACTURER'S RECOMMENDATIONS. 3. MATERIALS EXPOSED GALVANIZED STEEL CONCEALED GALVANIZED STEEL, FLEX LOW PRESSURE TYPE PLENUM RATED PER OS IMC.
 J. DUCTWORK FABRICATION AND INSTALLATION. 1. FABRICATE AND INSTALL TO MEET JOB CONDITIONS FROM DIMENSIONS TAKEN FROM JOBSITE AND SHOP DRAWINGS. TRANSITION AS REQUIRED TO AVOID INTERFERENCES, MAINTAIN REQUIRED CROSS-SECTIONAL AREA. 2. FABRICATE AND INSTALL SO NO UNDU NOISE OR VIBRATION RESULTS. 3. DO NOT PROVIDE HOLES IN THE DUCT SYSTEMS FOR THE INSTALLATION OF HANGERS, CONDUIT, PIPES, ETC. 4. DUCT DIMENSIONS ON DRAWINGS ARE CLEAR INSIDE DIMENSION, INCREASE SHEET METAL DIMENSIONS TO ACCOMMODATE LINER. 5. LOCATE ALL DUCTWORK CONCEALED UNLESS INDICATED OTHERWISE.
 K. ELBOWS. 1. CURVED CENTER LINE RADIUS EQUAL TO 1-1/2 TIMES THE DUCT WIDTH. 2. SQUARE FITTED WITH TURNING VANES WHEN DUCT SIZE INTO THE ELBOW IS THE SAME AS DUCT SIZE OUT. FITTED WITH FIXED EXTRACTOR WHEN DUCT SIZE INTO THE ELBOW IS DIFFERENT FORM DUCT SIZE OUT.
 L. TAKE-OFFS. 1. 45° TAKE-OFF WHERE OTHER MEANS OF CONTROL ARE NOT INDICATED OR USED, AND IN DUCTWORK BEHIND SIDEWALL SUPPLY REGISTERS.
 M. HANGERS AND SUPPORTS. 1. HORIZONTAL DUCTS PROVIDE HANGERS OF TYPE AND SPACING AS RECOMMENDED BY SMACNA. 2. VERTICAL DUCTS THROUGH FLOORS PROVIDE GALVANIZED STEEL ANGLE ON AT LEAST TWO SIDES OF THE DUCT, FASTEN SECURELY TO DUCT AND FLOOR.
 N. BALANCING DAMPERS. 1. PROVIDE FOR PROPER ADJUSTMENT AND CONTROL OF AIR DISTRIBUTION. MARK DAMPER ROD TO INDICATE THE RELATIVE POSITION OF THE DAMPER BLADES WITH RESPECT TO THE ROD.
 O. FLEX DUCT. 1. USE LENGTHS AS NECESSARY TO MAKE CONNECTION WITHOUT FINCHING OR KINKING. SUSPEND HORIZONTAL RUNS WITH 3/4" WIDE FLAT STEEL BAND AT 56" O.C. MAKE END CONNECTIONS WITH STEEL DRAM BANDS. MAXIMUM LENGTH SHALL NOT EXCEED SIX FEET.
 P. FLEX CONNECTIONS PROVIDE AT INLET AND OUTLET TO ALL FANS.
 Q. TEST HOLES. 1. PROVIDE ON BRANCH AND MAIN DUCT TO PROVIDE OPENINGS THROUGH DUCT WALLS FOR THE INSERTION OF TEST EQUIPMENT. LOCATE TO ENABLE TRAVERSE READINGS PER ASHRAE STANDARDS.
 R. PAINTING WHERE INTERIOR OF DUCT IS VISIBLE THROUGH GRILLES, LOVERS, ETC, PAINT VISIBLE INSIDE PORTION OF DUCT WITH FLAT BLACK PAINT.

MECHANICAL EQUIPMENT SCHEDULE

TAG	MANUFACTURE	MODEL	QTY	Q/A QTY	NET WT	GROSS WT	HT	NP	VOLTAGE	PH	MEA	WEIGHT	REMARKS	
RTU-4	CARRIER	48TFF008-6	3,000	900	85	224	7.5	.6	460	3	20.6	1,111#	MFS 25, SEE REMARK 1.	
(ERTU-2)	EXISTING	EXISTING	10,000	3,000	300	430	25	.6	(E)	(E)	(E)	(E)	SEE REMARK 2.	
(ERTU-5)	EXISTING	EXISTING	2,000	600	60	165	5	.6	(E)	(E)	(E)	(E)	SEE REMARK 2.	
EF-4	CRANES	VCDD025C	225	-	-	-	-	-	125	120	1	2.2 A	30#	SEE REMARK 3.
EF-5	CRANES	VCDD015C	150	-	-	-	-	-	25	120	1	1.4 A	20#	SEE REMARK 3.
EH-1,2&3	MARKEL	E3055TDWB	100	-	-	-	-	-	-	120	1	12.5 A	-	SEE REMARK 6.
EF-8	CRANES	VEBK-12	900	-	-	-	-	-	25	120	1	5.8 A	55#	SEE REMARK 4.

ADDITIONAL REMARKS FOR SCHEDULE
 1. ROOF TOP UNIT, 80% AFUE, 10 SEER MINIMUM, ALL UNITS SHALL HAVE CO2 SENSOR IN MAIN RETURN SET TO 800ppm IF ACTIVATED UNIT WILL PROVIDE 100% OUT SIDE AIR UNTIL SATISFIED ECONOMIZER UNIT SET TO 30% DURING NORMAL OPERATION, POWER EXHAUST, CURB WITH GYP BOARD AND INSULATION IN BOTTOM FOR SOUND CONTROL, HALL GUARDS, PROGRAMMABLE DIGITAL SET BACK THERMOSTAT, SMOKE SHUT DOWN. Δ ADD SHUT-DOWN
 2. EXISTING ROOF TOP UNIT, PROVIDE CO2 SENSOR IN MAIN RETURN SET TO 800ppm IF ACTIVATED UNITS WILL PROVIDE 100% OUT SIDE AIR UNTIL SATISFIED, SET ECONOMIZER TO 30% DURING NORMAL OPERATION, PROGRAMMABLE DIGITAL SET BACK THERMOSTAT AND DUCTWORK AS SHOWN ON PLAN, SMOKE SHUT DOWN. Δ ADD SHUT-DOWN
 3. CEILING MOUNTED EXHAUST FAN, SWITCH WITH LIGHTS, BACK DRAFT DAMPER, ROOF OR WALL CAP, 1/4" MESH SCREEN.
 4. ROOF MOUNTED EXHAUST FAN, 1/4 HP SWITCH WITH LIGHTS, BACK DRAFT DAMPER, CURB, 1/4" MESH SCREEN, BELT DRIVE.
 5. INSTALL ALL EQUIPMENT IN ACCORDANCE WITH MANUFACTURER'S INSTALLATION INSTRUCTIONS. Δ ADD EH-1,2,3
 6. ELECTRIC COMMERCIAL FAN FORCED WALL HEATER, 1500 WATT, 5120 BTU, THERMOSTAT, PROVIDE MOUNTING KIT.
 7. EQUIPMENT SPECIFIED CAN BE SUBSTITUTED WITH LISTED AND APPROVED EQUAL.

DIFFUSER, GRILLE, & REGISTER SCHEDULE

TAG	MFR	SIZE	USE	TYPE	REMARKS
SG-1	CARNES SFFA	24"X24"	SUPPLY	LAY-IN / SURFACE	SEE PLAN FOR NECK, MANUAL VOLUME DAMPER (VD) TYPICAL
SG-2	CARNES -SSAA	18-34"Ø	SUPPLY	DUCT / SURFACE	Ø7Ø NECK, ADJUSTABLE ROUND, VD
SG-3	CARNES -SSAA	27-14"Ø	SUPPLY	DUCT / SURFACE	12"Ø NECK, ADJUSTABLE ROUND, VD
SG-4	CARNES -RADA	30"X16"	SUPPLY	DUCT MOUNTED	2 WAY DIRECTIONAL, VD
RG-1	CARNES -RSFA	24"X24"	RETURN	LAY-IN / SURFACE	SEE PLAN FOR NECK, OR OPEN TO PLENUM, PERFORATED FACE
TA-1	CARNES -RSAB	12"Ø"	TRANSFER	WALL GRILLE	45° FIXED DEFLECTION
EF8	CARNES -RSTF	12"X12"	EXHAUST	CEILING GRILLE	SEE PLAN FOR NECK, PERFORATED FACE

EQUIPMENT SPECIFIED CAN BE SUBSTITUTED WITH LISTED AND APPROVED EQUAL.

MECHANICAL GENERAL NOTES

- CONFORM TO ALL FEDERAL, STATE, AND LOCAL CODES.
- COMPLY WITH APPLICABLE HEALTH AND SAFETY REGULATIONS.
- INSTALLATION SHALL COMPLY WITH OS REC, OS IMC, IECC, IFGC, IBC, IFCC, SMACNA, 64 621 ASHRAE STANDARD, AND NFPA STANDARDS.
- CALL FOR INSPECTIONS AS REQUIRED.
- PROVIDE FLEXIBLE CONNECTIONS AT AIR HANDLERS DUCT CONNECTIONS, SUPPLY AND RETURN.
- PROVIDE MANUFACTURED TURNING VANES AT ALL 90° RECTANGULAR ELBOWS IN SUPPLY AND RETURN DUCTS.
- ALL SUPPLY AIR BRANCH TAKE-OFFS OR DIFFUSERS TO HAVE MANUAL VOLUME DAMPERS WHERE SUCH TAKE-OFFS OCCUR ABOVE LIFT OUT CEILINGS, AND/OR ARE ACCESSIBLE.
- FLEX DUCT ON BRANCH RUNS IS PERMITTED, AND TO BE CLASS 0 OR 1 AND SHALL CONFORM TO INTERNATIONAL MECHANICAL CODE AND UL 181. SHEET METAL 90° ELBOWS ARE TO BE USED AT THE TOP OF THE DIFFUSER AS APPLICABLE. NO 90° BENDS IN FLEX DUCT, FLEX DUCT TO BE STRETCHED TIGHT.
- ALL DUCT HANGERS TO COMPLY WITH OS MECHANICAL CODE.
- SUPPLY AIR AND RETURN AIR DUCTS SHALL BE CONSTRUCTED OF METAL AS SET FORTH IN INTERNATIONAL MECHANICAL CODE. ROUND OR SPIRAL PIPE MAY BE USED IN LIEU OF RECTANGULAR DUCT PROVIDED PIPE SIZING IS SUCH THAT THE SYSTEM CAPACITY IS NOT IMPAIRED AND IT MEETS INTERNATIONAL MECHANICAL CODE REQUIREMENTS.
- WHERE INTERIOR OF DUCT IS VISIBLE THROUGH GRILLE, PAINT INSIDE OF DUCT WITH FLAT BLACK PAINT.
- ALL JOINTS OF DUCTWORK TO BE SEALED WITH DUCT SEALER.
- THERMOSTAT CAPABILITIES SHALL BE IN ACCORDANCE WITH 2003 IECC REQUIREMENTS.
- CONTROL WIRING BY THIS CONTRACTOR (LOW VOLTAGE ONLY), POWER WIRING BY ELECTRICAL CONTRACTOR, MECHANICAL CONTRACTOR SHALL COORDINATE REQUIRED CONNECTIONS TO GENERAL CONTRACTOR.
- EXHAUST FANS TO HAVE BACK DRAFT DAMPERS, AND 1/4" MESH.
- LABEL ALL UNITS AS TO AREA SERVED. PROVIDE 110 VOLT OUTLET WITHIN 25' OF UNIT WHERE UNITS ARE LOCATED OUTSIDE. ROOF ACCESS TO BE PROVIDED WHEN UNITS ARE LOCATED ON ROOF PER SECTION 306.5 OS IMC. GUARDS IF REQUIRED SHALL BE IN ACCORDANCE WITH SECTION 304.10 OS IMC.
- MESH SCREEN ON LOUVERS NOT TO EXCEED 1/4" MESH.
- CONTRACTOR TO BALANCE THE AIR FLOW AT THE COMPLETION OF THE PROJECT AND PROVIDE REPORT TO INSPECTOR AT TIME OF HVAC FINAL.
- THE BRANDS AND MODELS OF EQUIPMENT SHOWN ON THE SCHEDULES ARE GIVEN AS A STANDARD, BRANDS AND MODELS OF EQUAL CAPACITY AND QUALITY MAY BE USED WITH ARCHITECT / ENGINEER'S APPROVAL. THIS CONTRACTOR TO BE RESPONSIBLE FOR PROPER FIT AND OTHER ASPECTS RELATED TO THE SUBSTITUTION.
- A COMPLETE HVAC SYSTEM IS INTENDED FOR THIS PROJECT. ANY DISCREPANCIES AND OMISSIONS NOTED SHOULD BE BRINGED TO THE ARCHITECT / ENGINEER'S ATTENTION DURING THE BIDDING PROCESS FOR CLARIFICATION.
- PROVIDE OWNER WITH A WRITTEN WARRANTY COVERING MATERIALS AND WORKMANSHIP FOR A PERIOD OF ONE YEAR FROM DATE OF ACCEPTANCE OF THE PROJECT.
- FIELD VERIFY ALL CONDITIONS AND LOCATIONS PRIOR TO CONSTRUCTION.
- DUCTWORK NOT LOCATED WITHIN BUILDING INSULATION OR R.A. FLENUMS SHALL BE INSULATED IN ACCORDANCE WITH LOCAL CODE REQUIREMENTS. (ALL DUCTWORK SHOWN ARE MINIMUM INTERIOR DIMENSIONS.)
- OUTSIDE AIR (O.A.) REQUIREMENTS TO BE IN ACCORDANCE WITH TABLE 403.5 OF OS IMC.
- THESE DRAWINGS ARE DIAGRAMMATIC IN NATURE AND MAY NOT SHOW ALL TRANSITIONS, OFFSETS, ECT. CONTRACTOR SHALL FIELD VERIFY ALL CONDITIONS AND PROVIDE ALL NECESSARY FITTINGS TO COMPLETE THE INTENT OF THE DRAWINGS. CONTRACTOR MAY LOCATED MECHANICAL EQUIPMENT DIFFERENTLY THAN SHOWN ON DRAWINGS DUE TO CONFLICTS, AS LONG AS FUNCTION IS NOT AFFECTED.
- VENT GAS FIRED HEATERS PER SECTION 804, 2003 IMC, CHAPTER 5 OF 2006 IFGC, AND MANUFACTURER'S INSTRUCTIONS.
- INSTALL ALL FIRE DAMPERS PER CHAPTER 6 2003 IMC, SECTION 607, AND MANUFACTURERS INSTRUCTIONS, PROVIDE ACCESS DOORS PER 2003 IMC, SECTION 607.4.
- ALL ROOF AND WALL PENETRATIONS SHALL HAVE WALL SLEEVES / ROOF JACKS, VENT CAPS, WEATHER PROTECTION, AND BE SEALED BY A LICENSED ROOF CONTRACTOR.
- IF MATERIALS ARE EXPOSED WITHIN FLENUMS THEY SHALL BE NON-COMBUSTIBLE OR SHALL HAVE A FLAME SPREAD INDEX OF NOT MORE THAN 25 AND A SMOKE-DEVELOPED INDEX OF NOT MORE THAN 50 WHEN TESTED IN ACCORDANCE WITH ASTM E 84.
- COORDINATE WITH G.C. / OWNER FOR CONNECTION OF ANY OWNER PROVIDE HVAC EQUIPMENT.
- PRESSURIZED EXHAUST MUST BE ISOLATED WITH-IN R.A. PLENUM. Δ ADD PLENUM NOTE

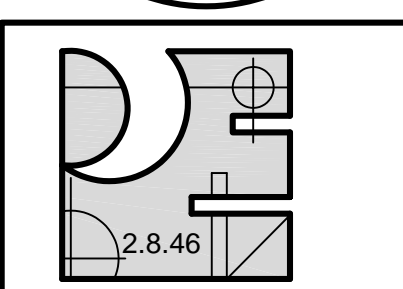
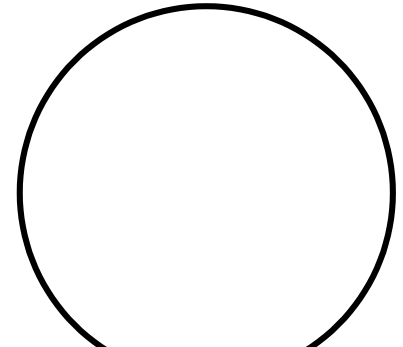
PLUMBING FIXTURE SCHEDULE

TAG	DESCRIPTION	MANF.	MODEL	CA	HA	TRAP	VENT	NOTES
WC-1	ADD WATER CLOSET	BRIGGS	4240	1/2"	-	INTGR.	2"	TANK TYPE, PRESSURE ASSIST, 1.8 GPF, ELONGATED BOWL, OPEN FRONT LESS COVER, SHALL BE ADA COMPLIANT
WC-2	WATER CLOSET	BRIGGS	4245	1/2"	-	INTGR.	2"	TANK TYPE, PRESSURE ASSIST, 1.8 GPF, ELONGATED BOWL, OPEN FRONT LESS COVER
L-1	LAVATORY	BRIGGS	6524	1/2"	1/2"	1-1/2"	1-1/2"	COUNTER MOUNTED SINK, DELTA #501 FAUCET, WRAP PIPES, SHALL BE ADA COMPLIANT
L-2	LAVATORY	BRIGGS	6524	1/2"	1/2"	1-1/2"	1-1/2"	COUNTER MOUNTED SINK, DELTA #501 FAUCET
UR-1	URINAL	TOTO	UT104	3/4"	-	INTGR.	1-1/2"	WALL MOUNTED, SLOAN #186 FLUSH VALVE, SHALL BE ADA COMPLIANT
UR-2	URINAL	TOTO	UT104	3/4"	-	INTGR.	1-1/2"	WALL MOUNTED, SLOAN #186 FLUSH VALVE, REGULAR HEIGHT
WH-1	WATER HEATER	STATE	SUF 60120NE	1-1/2"	1-1/2"	-	-	95% AFUE, 60 GALLON, INPUT 120 MBH, 106 GPH @ 130°F, 120VAC 4 AMP, T&P RELIEF VALVE, CONCENTRIC VENT KIT
ET	EXPANSION TANK	WATTS	DET-5	3/4"	-	-	-	MAX TEMPERATURE 180°F, MAX PRESSURE 150 PSI, 2 GALLON
RC	RECIRCULATOR PUMP	GRINDROS	UPS15-42SF	3/4"	-	-	-	3/4" FLANGE, 115V-1PH, 76 AMP, 125 HP, 85 WATT, (2) ZONES
FD	FLOOR DRAIN	MIFAB	F1100	-	-	2"	1-1/2"	STRAINER, FLOOR COVER, TRAP PROTECTOR WHEN NOT LOCATED IN RESTROOM
HW	HOSE BIBB	WOODFORD	65	3/4"	-	-	-	WALL MOUNTED, VACUUM BREAKER FAUCET, FREEZE PROTECT
EB	ELECTRIC WATER COOLER	ELKAY	EZ58	1/2"	-	-	-	WALL MOUNTED, 115V-1PH, 3.7 AMP, INSTALL FOR ADA COMPLIANCE
S-1	SINK SINGLE BOWL	STERLING	11404-3	1/2"	1/2"	1-1/2"	1-1/2"	25"X22" SINGLE BOWL, COUNTER MOUNTED, DELTA #100 FAUCET, CONNECT TO EXISTING PLUMBING

OWNER, ARCHITECT, & G.C. SHALL APPROVE ALL FIXTURES PRIOR TO CONSTRUCTION. EQUIPMENT SPECIFIED IS A STANDARD ONLY. ITEMS SPECIFIED CAN BE SUBSTITUTED WITH APPROVED EQUAL, MUST BE LISTED AND APPROVED.

PLUMBING GENERAL NOTES

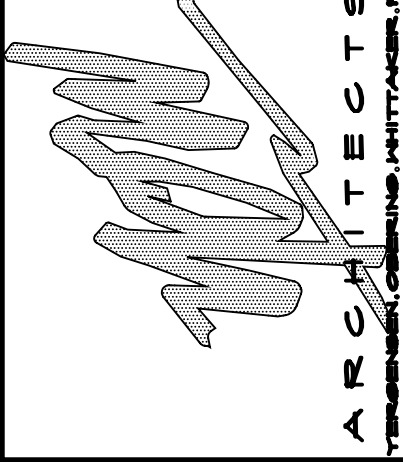
- PROVIDE EXPANSION TANK ON WATER HEATERS.
- PROVIDE END OF LINE CLEAN OUT, SIZE PER OS REC AND AMENDMENTS.
- ALL PLUMBING / PIPING SHALL CONFORM TO OS IPC, IFGC, IBC, IECC, LOCAL AND WASTE/WATER CODES.
- HOSE BIBBS / BILL COCKS MUST BE SELF DRAINING, FREEZE PROTECTED, AND FITTED WITH BACK FLOW PREVENTION DEVICE.
- OPENINGS, CUTTINGS AND PATCHING AS REQUIRED SHALL BE ACCOMPLISHED BY OTHERS.
- CONFIGURE PIPING IN SUCH A MANNER AS TO ALLOW EASE OF MAINTENANCE FOR ALL MECHANICAL EQUIPMENT. REFER TO MECHANICAL EQUIPMENT SHEETS.
- FIELD VERIFY ALL CONDITIONS, LOCATIONS, FIXTURES, PIPING NEW/EXISTING PRIOR TO CONSTRUCTION.
- FIRE PROTECT ALL PIPING PENETRATING FIRE RATED WALLS OR ASSEMBLIES. SEE OS IBC.
- THESE DRAWINGS ARE DIAGRAMMATIC IN NATURE AND MAY NOT SHOW ALL FITTINGS, OFFSETS, ECT. CONTRACTOR SHALL FIELD VERIFY ALL CONDITIONS AND PROVIDE ALL NECESSARY FITTINGS TO COMPLETE THE INTENT OF THE DRAWINGS. CONTRACTOR MAY ROUTE PIPING DIFFERENTLY THAN SHOWN ON DRAWINGS DUE TO CONFLICTS, AS LONG AS FUNCTION AND SIZING IS NOT AFFECTED.
- PROVIDE REDUCED PRESSURE BACK FLOW PREVENTER AND PRESSURE REDUCING VALVE WITH METER SET, INSTALL AND PROVIDE MATERIALS IN ACCORDANCE WITH LOCAL UTILITIES.
- STAINLESS STEEL REDUCED PRESSURE BACK FLOW PREVENTION DEVICES ARE REQUIRED AT ALL DIRECT CONNECTED APPLIANCES SUCH AS SODA MACHINES, ICE MAKERS, ETC.
- INSULATE ALL PIPING IN ACCORDANCE WITH OS IECC.
- VENT PIPES SHALL TERMINATE ABOVE ROOF MINIMUM 10' FROM OR 3' ABOVE INTAKES, OFFSET AS NECESSARY.
- HOT WATER NOT TO EXCEED 120°F AND SHALL BE A MINIMUM OF 110°F, P.G. SHALL PROVIDED TEMPERATURE MIXING VALVES AS REQUIRED.
- INSTALL FIXTURES, PIPING, ETC PER MANUFACTURERS INSTRUCTIONS, OS IPC, IFGC, IBC, AND LOCAL UTILITIES, BUILDING CODE REQUIREMENTS.
- WASTE PIPING SHALL BE SCHEDULE 40 PVC. VENT AND ROOF DRAIN PIPING SHALL BE SCHEDULE 40 PVC (PROTECT WHEN LOCATED IN R.A. PLENUM OR RATED ASSEMBLY) OR TRANSITION TO CAST-IRON. UNDER GRADING WATER PIPING SHALL BE TYPE K COPPER. ABOVE GROUND WATER PIPING SHALL BE TYPE M RIGID COPPER. GAS PIPING SHALL BE SCHEDULE 40 METALLIC. NOTE CONTRACTOR MAY USE APPROVED PIPING MATERIALS AS LISTED IN OS IPC OR BY LOCAL BUILDING DEPARTMENT AMENDMENTS.
- PLUMBING CONTRACTOR SHALL FIELD VERIFY ALL EXISTING LOCATIONS PRIOR TO PURCHASING MATERIALS AND CONSTRUCTION. CONTRACTOR MAY RELOCATE DUE TO CONFLICTS AS LONG AS SIZE AND FUNCTION IS NOT AFFECTED.
- TRAP SEAL PRIMERS SHALL BE IN ACCORDANCE WITH OS IPC SECTION 1002.4. LISTED TRAP PROTECTORS MAY BE USED IF LOCAL BUILDING DEPARTMENT ALLOWS THEIR USE.
- IF MATERIALS ARE EXPOSED WITHIN FLENUMS THEY SHALL BE NON-COMBUSTIBLE OR LISTED SHALL HAVE A FLAME SPREAD INDEX OF NOT MORE THAN 25 AND A SMOKE-DEVELOPED INDEX OF NOT MORE THAN 50 WHEN TESTED IN ACCORDANCE WITH ASTM E 84.
- ALL ROOF AND WALL PENETRATIONS SHALL HAVE WALL SLEEVES / ROOF JACKS, WEATHER PROTECTION, AND BE SEALED BY A LICENSED ROOFING CONTRACTOR.
- COORDINATE WITH G.C. / OWNER FOR CONNECTION OF ANY OWNER PROVIDE PLUMBING FIXTURES OR EQUIPMENT.



Pinnow Engineering
 P.O. BOX 331
 CASCADE, CO 80809
 PHONE/FAX: 719.684.2209

OWNERSHIP OF DOCUMENT THE IDEAS AND DESIGNS INCORPORATED HEREIN, AS AN INSTRUMENT OF PROFESSIONAL SERVICES IS THE PROPERTY OF PINNOW ENGINEERING, LLC AND IS NOT TO BE COPIED OR USED, IN WHOLE OR PART, FOR ANY OTHER PURPOSES WITHOUT THE WRITTEN AUTHORIZATION OF PINNOW ENGINEERING, LLC. © 2008

THE SOUTH WELDER, SUITE 400
 104 SOUTH CASCADE AVENUE, SUITE 201
 COLORADO SPRINGS, COLORADO 80903
 719-578-1111 FAX: 719-578-1114



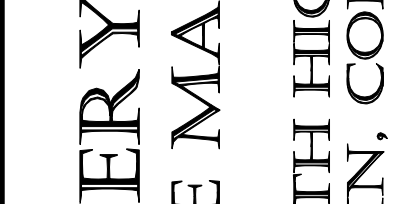
BECKETT DEVELOPMENT LLP
BECKETT FALCON INVESTMENTS LLP
 104 SOUTH CASCADE AVENUE, SUITE 201
 COLORADO SPRINGS, COLORADO 80903
 PHONE: (719) 328-1501 FAX: (719) 328-1501

CALVERY FELLOWSHIP
AT THE MART FOUNTAIN
 6436 SOUTH HIGHWAY 85-87
 FOUNTAIN, COLORADO 80817

JOB NUMBER: P8-085
 DRAWN BY: BCB
 REVIEWED BY: LAP
 REVIEW SET: 08/04/08
 PERMIT SET: 09/22/08

REVISION:
 11/24/08
 1. ADJUST SEWER STUBS TO THE LEFT
 2. RED COMMENTS
 3. OWNER & CONST. CHANGE

MECHANICAL & PLUMBING SCHEDULE PLAN

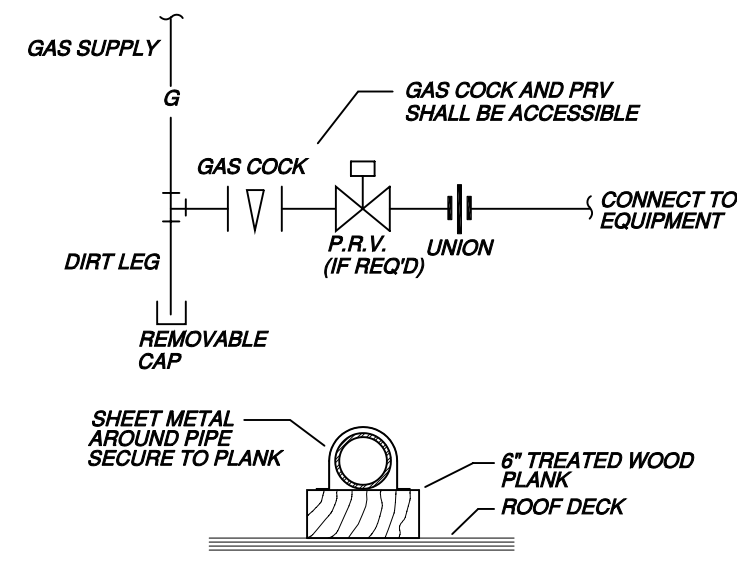


SCALE: Not To Scale OF 2

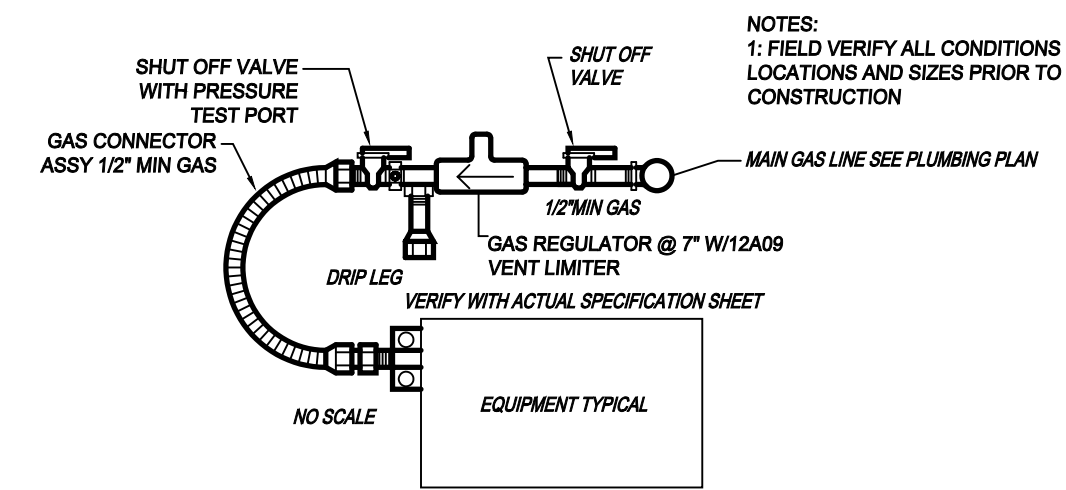
ADD EH-1,2,3
 DELETE RTU-10

MECHANICAL & PLUMBING SCHEDULE PLAN

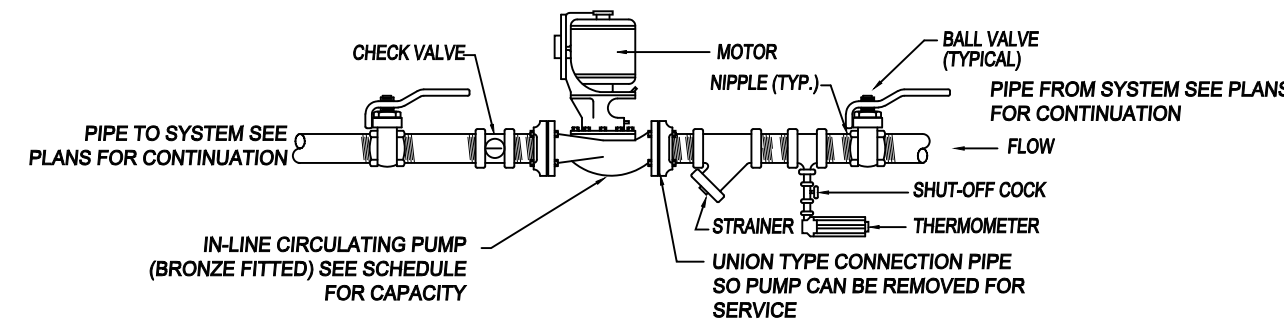
NOT TO SCALE



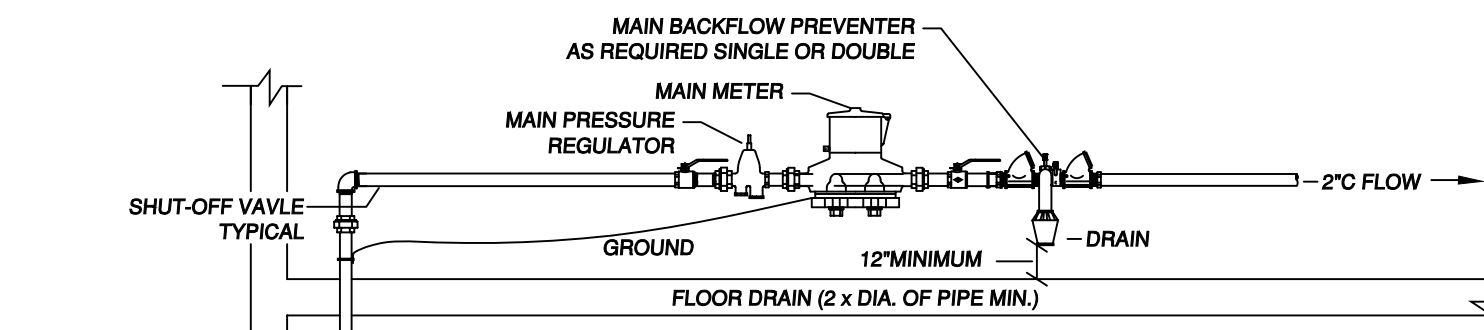
GAS PIPING DETAILS
(NTS) INSTALL PER 2005 IFGC



GAS REGULATOR CONNECTION DETAIL
(NTS) INSTALL PER 03 IFGC AND MANUFACTURES INSTRUCITON



RECIRCULATING PUMP DETAIL
(NTS) INSTALL PER MANUFACTURES INSTRUCTIONS



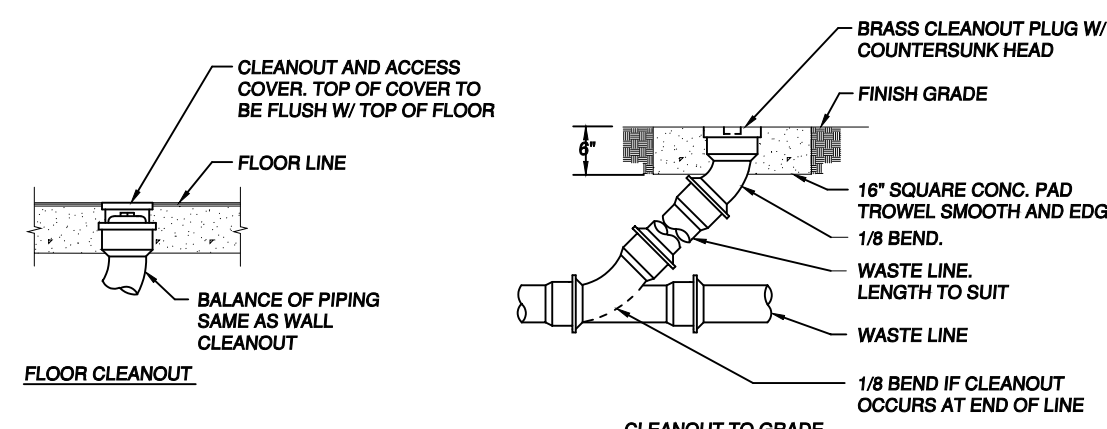
SCHEMATIC DETAIL OF 1-1/2" WATER METER
(NTS) INSTALL PER LOCAL UTILITIES VERIFY LOCATION WITHIN BUILDING

WATER SERVICE

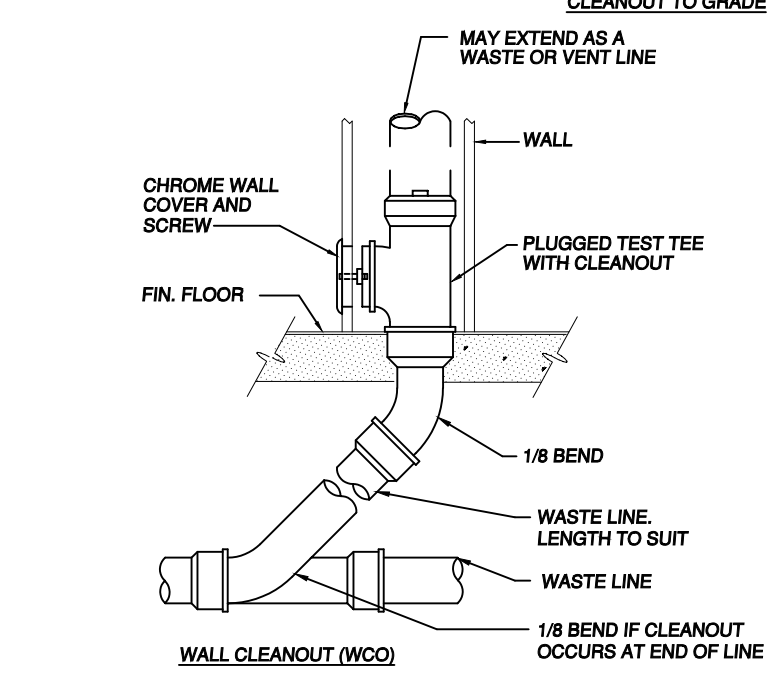
TOTAL WATER LOAD FOR THIS SPACE WITH POSSIBLE FUTURE IS 138.05 WATER SUPPLY FIXTURE UNITS (WSFU)

PRESSURE RANGE AFTER METER, BFP, PRV SHALL BE BETWEEN 50 & 60 PSI FOR DISTRIBUTION. AT A TOTAL DEVELOPED LENGTH NOT EXCEEDING 370', A 1-1/2" BUILDING SUPPLY AND A BUILDING SERVICE DISTRIBUTION PIPE 2" CAN SUPPLY 247 WSFU.

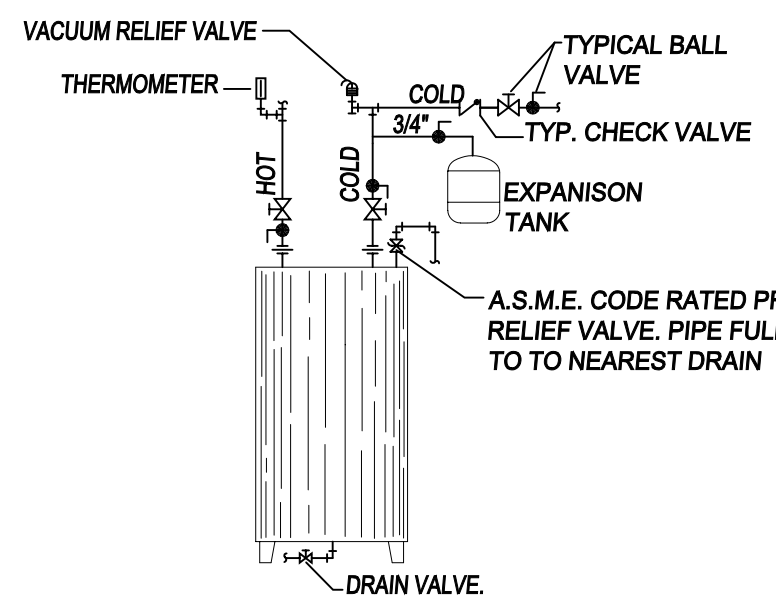
ALL WATER IS SIZED IN ACCORDANCE WITH APPENDIX E 2003 IPC. ALL PIPING SHALL BE INSTALLED PER 2003 IPC. METER, BFP, PRV SHALL BE INSTALLED IN ACCORDANCE WITH COLORADO SPRINGS UTILITY REQUIREMENTS, 03 IPC, AND MANUFACTURERS INSTRUCTIONS. LOCAL UTILITIES HAS FINAL APPROVAL OF WATER METER SIZING. WATER METER SIZE SHOWN IS A RECOMMENDATION IN ACCORDANCE WITH 03 IPC TABLE E201.1, 50-60 PSI PRESSURE RANGE FOR BUILDING.



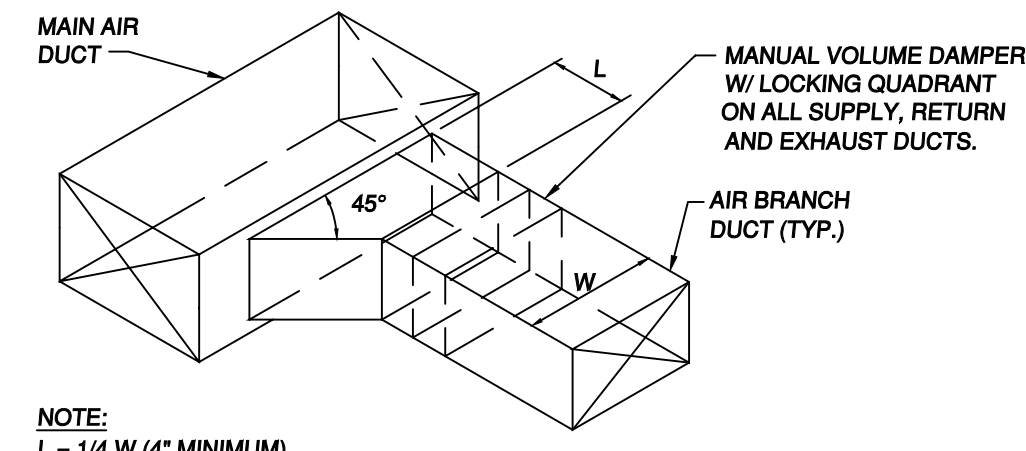
CLEAN OUT DETAILS
(NTS) INSTALL PER CSU'S VERIFY LOCATION



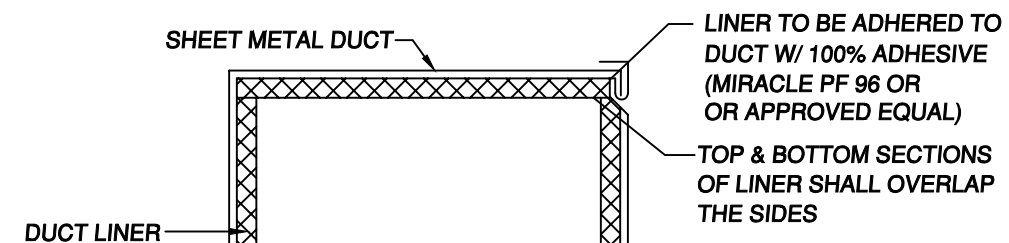
CLEAN OUT DETAILS
(NTS) INSTALL PER CSU'S VERIFY LOCATION



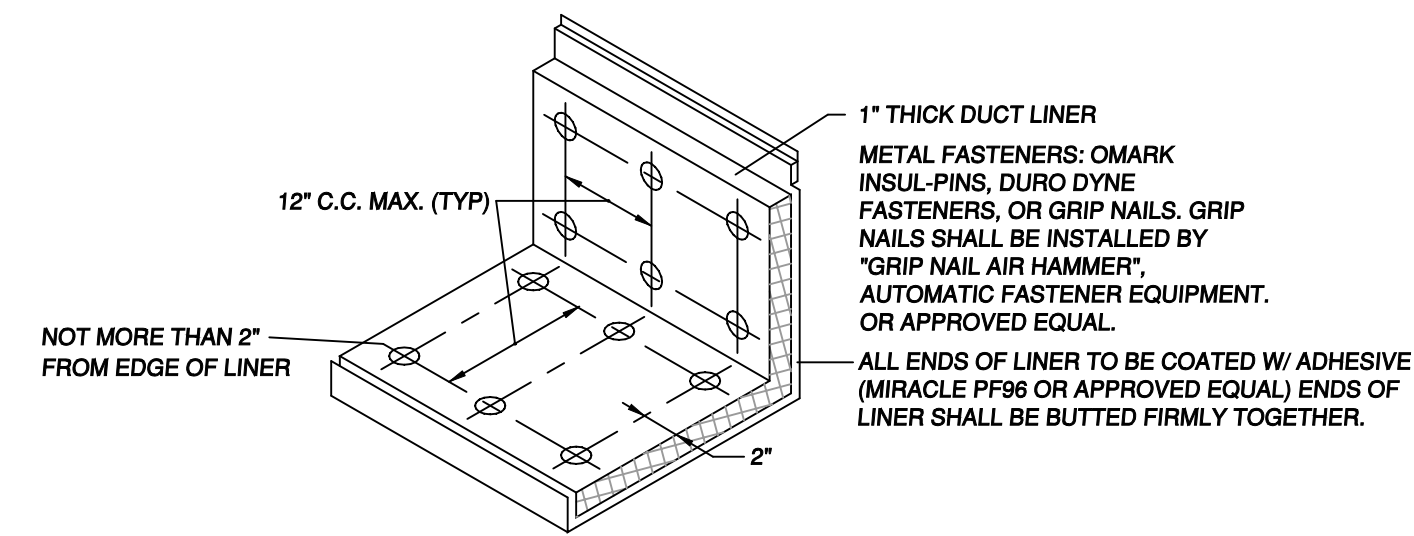
WATER HEATER DETAIL
(NTS) INSTALL PER MANUFACTURES INSTRUCTIONS



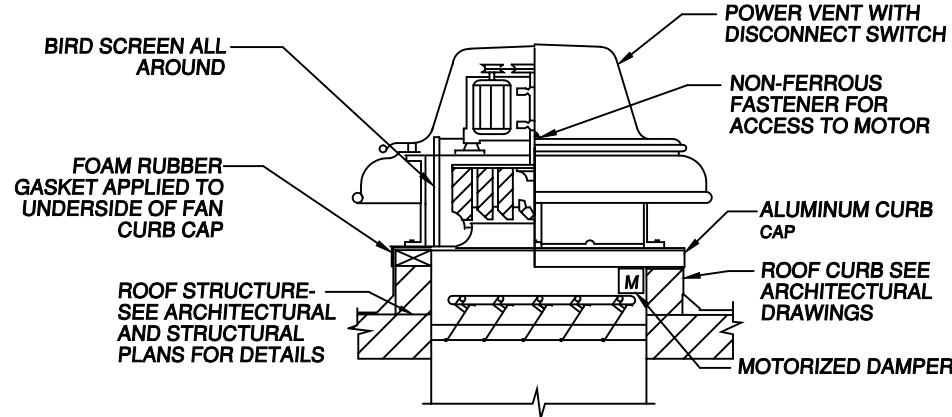
DUCT CONNECTION DETAIL
(NTS) INSTALL PER SMACNA STANDARDS



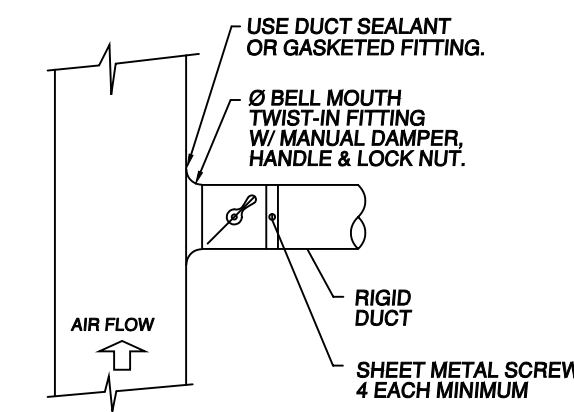
DUCT LINER DETAIL
(Not to Scale) INSTALL PER MANUFACTURES INSTRUCTIONS



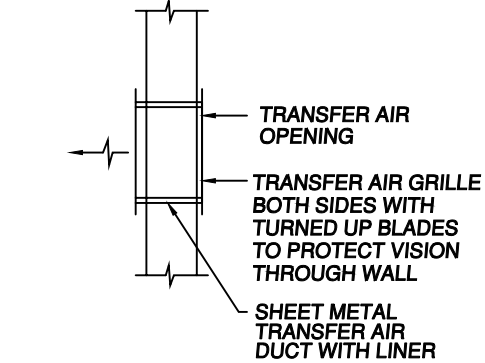
DUCT LINER DETAIL
(Not to Scale) INSTALL PER MANUFACTURES INSTRUCTIONS



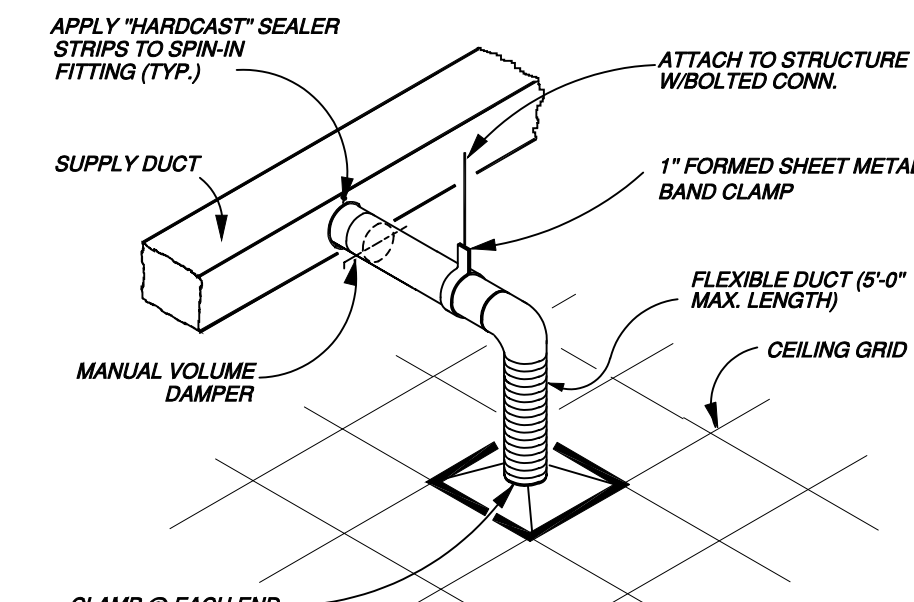
ROOF EXHAUSTER DETAIL
NO SCALE



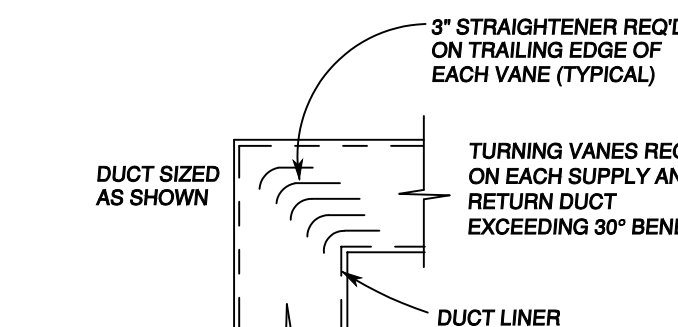
ROUND DUCT TAKE-OFF
NO SCALE



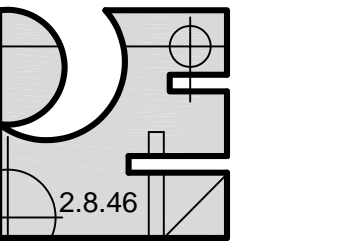
WALL TRANSFER DETAIL
NO SCALE



TYPICAL S.A. DIFFUSER CONNECTION DETAIL
(Not to Scale) INSTALL PER MANUFACTURES INSTRUCTIONS



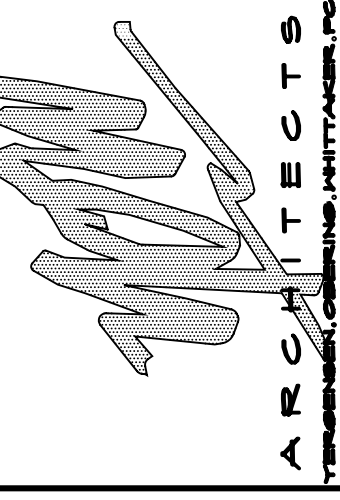
TURNING VANE DETAIL
(NTS) INSTALL PER MANUFACTURES INSTRUCTIONS



Pinnow Engineering
P.O. BOX 331
CASCADE, CO 80809
PHONE/FAX: 719.684.2209

OWNERSHIP OF DOCUMENT THE IDEAS AND DESIGNS INCORPORATED HEREIN, AS AN INSTRUMENT OF PROFESSIONAL SERVICES IS THE PROPERTY OF PINNOW ENGINEERING, LLC AND IS NOT TO BE COPIED OR USED, IN WHOLE OR PART, FOR ANY OTHER PURPOSES WITHOUT THE WRITTEN AUTHORIZATION OF PINNOW ENGINEERING, LLC. © 2008

116 SOUTH WEBER, SUITE 400
COLORADO SPRINGS, COLORADO 80904
719.575.4444 FAX 719.575.4444



BECKETT DEVELOPMENT LLP
BECKETT FALCON INVESTMENTS LLP
104 SOUTH CASCADE AVENUE, SUITE 201
COLORADO SPRINGS, COLORADO 80903
PHONE: (719) 328-1500 FAX: (719) 328-1501

CALVERY FELLOWSHIP
AT THE MART FOUNTAIN
6436 SOUTH HIGHWAY 85-87
FOUNTAIN, COLORADO 80817

JOB NUMBER:	P8-085
DRAWN BY:	BCB
REVIEWED BY:	LAP
REVIEW SET:	08/04/08
PERMIT SET:	09/22/08

REVISION:	11/24/08
ADJUST SEWER STUBS	
SCHEDULE SET	
RED COMMENTS	
OWNER & CONST. CHANGE	

MECHANICAL & PLUMBING SCHEDULE PLAN



SCALE: Not To Scale OF 2